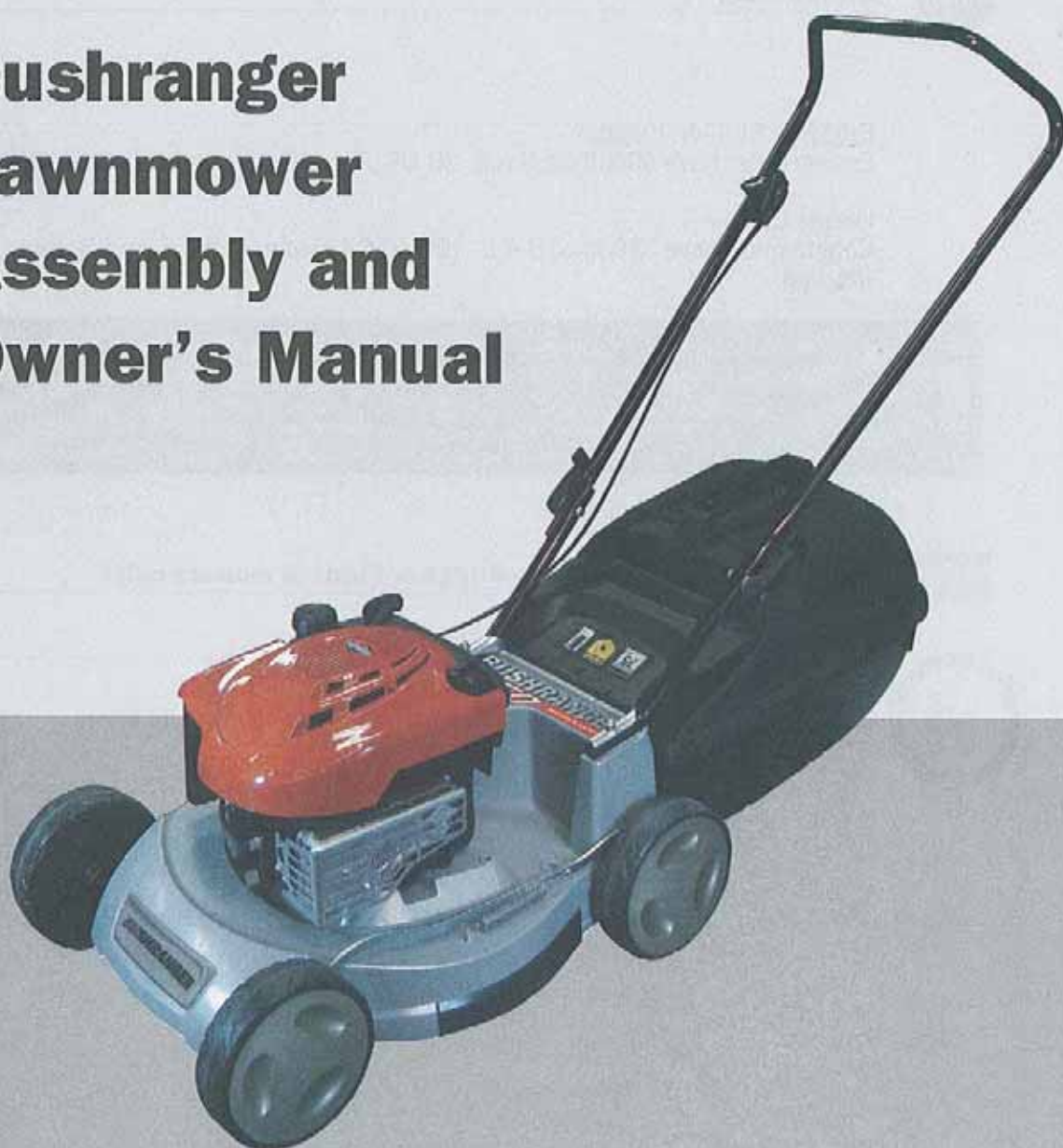


BUSHRANGER

Bushranger Lawnmower Assembly and Owner's Manual



www.poweruplawncare.com.au



WARNING! Read this manual before operating your Bushranger Lawnmower.



IMPORTANT INFORMATION

Labels

The following warning labels are attached to your mower on purchase.
Please read before discarding.



Stroke label

Briggs & Stratton Engine
Engine must have 600ml of S.A.E. 30 Oil placed in the Sump Before Starting.

Honda Engine
Engine must have 550ml of S.A.E. 10W40 Oil placed in the Sump Before Starting.



Dust cap

Bushranger (4 stroke Briggs & Stratton mowers only)

Removal of blue dust cap



Dispose of dust cap from under fuel cap before initial filling (if fitted)
DO NOT REPLACE

CONTENTS & SYMBOLS



Table of Contents

	Important Notes	1
	Unit details	
	Safety & Handling	2
	Safety instructions	
	Hazards	
	Personal safety equipment	
	Assembly Procedures	5
	Grasscatcher	
	Handle knobs/toggles	
	Attaching handles	
	Mulching plug	
	Attaching battery (Keystart models only)	
	Operating Instructions	11
	Mowing & mulching tips	
	Starting & stopping	
	Self propelled	
	Maintenance & Care	13
	Cleaning	
	Blade replacement	
	Remote air filter maintenance	
	Replacing air filters	
	Maintenance chart	
	Questions & Answers	17
	Troubleshooting	
	Warranty	18
	Warranty conditions	



IMPORTANT NOTES

Congratulations on your purchase of a **top quality** Bushranger lawnmower. This instruction manual will aid in the assembly, operation and maintenance of your new lawnmower.

Please read carefully to ensure safety and the long life of your product.



Do not operate the unit before reading this manual.

Do not operate before reading the 'Engine Manual'.

Keep this instruction manual in a safe place for future reference or if service is required on your unit.

Please read the 'Warranty' section carefully

Unit details

When unpacking the unit, ensure that all component parts listed below have been provided. Should there be a problem, notify the place of purchase.

You should find the following enclosed:

- 1 BUSHRANGER lawnmower
- 1 Unassembled grasscatcher & assembly kit (Catcher models)
- 1 Engine manual
- 1 Mulching plug (Mulch or Catch models only)
- 1 Lower handles and accessories pack (customer assembled models only)



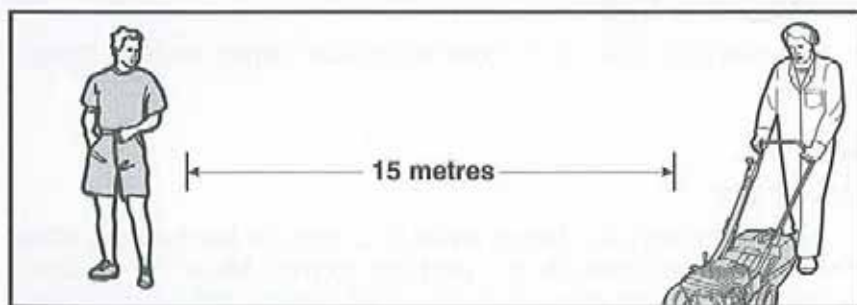
Safety instructions

Transporting the mower

- Turn the engine off, by moving the throttle lever to the 'STOP' position and switching the fuel tap off (where fitted).
- Disconnect the spark plug lead and wedge it between the cylinder head fins.
- Do not transport the mower in a vehicle if there is fuel in the fuel tank.
- Remove the starter key and disconnect the battery (Keystart models only).

Before using the mower

- **For the 4 stroke engines 550ml to 600ml of SAE 30 oil must be placed in engine sump before starting engine. Failure to do so will cause engine damage and will void engine warranty.**
- Do not start the mower until you have studied the instruction manual.
- Know the mower controls. Learn how to stop the engine quickly in an emergency by moving the throttle to the 'STOP' position.
- Before using the mower, ensure that the blade assembly is not worn or damaged. Always replace worn or damaged blades and bolts in sets to preserve correct balance. Damaged or worn blades and bolts are major hazards. Use genuine BUSHRANGER spare parts only.
- **Please note blades may be tucked under blade disc for safety and transport reasons before use. Once the engine is started they will relocate themselves for cutting.**
- Check all fasteners regularly. Always ensure the mower is in a safe operating condition.
- Check for grass build up around the engine and muffler which may cause overheating and/or a fire hazard.
- Do not start the engine unless the rear flap and/or grasscatcher are securely in position.



Operating the mower

- Do not mow while people or pets are in the vicinity of the mower or within the mowing area. Ensure that bystanders are a minimum of 15 metres away.
- Do not mow in bare feet or open shoes. Wear long trousers and heavy footwear.
- Make sure the lawn is clear of sticks, stones, bones, wire and debris before mowing. These could be thrown by the blades and cause injury or damage.
- Start the engine carefully with feet well clear of blades. Do not tilt the mower when starting the engine.



SAFETY & HANDLING

Safety Instructions

- Stop the engine whenever you leave the mower, even for a moment.
- Mow only in good daylight.
- Keep hands and feet away from rotating parts beneath mower when engine is running.
- Do not over speed the engine or alter the governor settings. Excessive engine speed is dangerous and shortens mower life.
- **Never lift, carry or tilt the mower when the engine is running.**
- Stop the engine before pushing the mower across gravel, paths or roads. Stop the engine before the mower leaves the lawn.
- Stop the engine before adjusting the cutting height.
- Mow across the face of a slope, never up or down. Use extreme caution when changing direction on a slope. Do not mow on excessively steep slopes.
- Never mow by pulling the mower towards you. You may slip and pull the mower on top of your feet. Never mow grass while walking backwards.
- Walk with the mower, never run.
- The safety distance determined by the guiding handles must be maintained at all times.
- At the conclusion of mowing, always turn the mower off using the throttle lever then turn fuel tap off (where fitted).

Maintaining the mower

- If the mower begins to vibrate abnormally, or if it strikes a foreign object - STOP the engine, disconnect the spark plug lead from the spark plug and carefully wedge it between the cylinder fins. Inspect the mower and blades for any damage.
- Replace worn or faulty mufflers as they adversely affect engine performance and increase emissions.
- PLP recommends that all maintenance, repair and inspection work be carried out by a BUSHRANGER Authorised Service Centre.
- Store the mower in a well ventilated area, away from any naked flames such as those found in hot water heaters.

Refuelling the mower

- Refuel the mower outdoors only.
- Do not smoke when refuelling the engine. Never add fuel or remove the fuel cap while the engine is running or hot. If fuel is spilt, do not start the engine. Move the mower away from the area of the spill. Do not create any source of ignition until fuel vapours have dissipated.
- Store fuel in a cool place and in a container specifically designed for the purpose. . Plastic containers are unsuitable, except those specifically designed to hold fuel.



Hazards

The following safety precautions must be strictly observed to avoid the risk of damage or personal injury.

- Do not smoke while operating or refuelling the mower. Never add fuel or remove the fuel cap while the engine is running or hot. If the fuel is spilt, do not start the engine. Move the mower away from the area of the spill. Do not create any source of ignition until the fuel vapours have dissipated.
- Check all fasteners regularly. Always ensure that the mower is in safe operating condition. Use genuine spare parts only.
- Do not operate the mower in confined spaces where exhaust fumes (carbon monoxide) can collect.
- Stop the engine whenever you leave the mower, even if only for a moment.
- Stop the engine when emptying the grasscatcher. Never try to clear grass from inside the mower while the engine is running.
- Never lift, carry or tilt the mower when the engine is running.
- Bystanders must be at least 15 metres away during operation of the mower, as rocks and other materials may be thrown at high velocities. Switch the unit off immediately if approached.
- Never use the mower unless the grasscatcher and/or the rear flap are correctly assembled and fitted.

Personal safety equipment

Recommended safety equipment to wear when working with your lawnmower:



A set of ear muffs.



A pair of protective gloves.



A pair of safety boots.

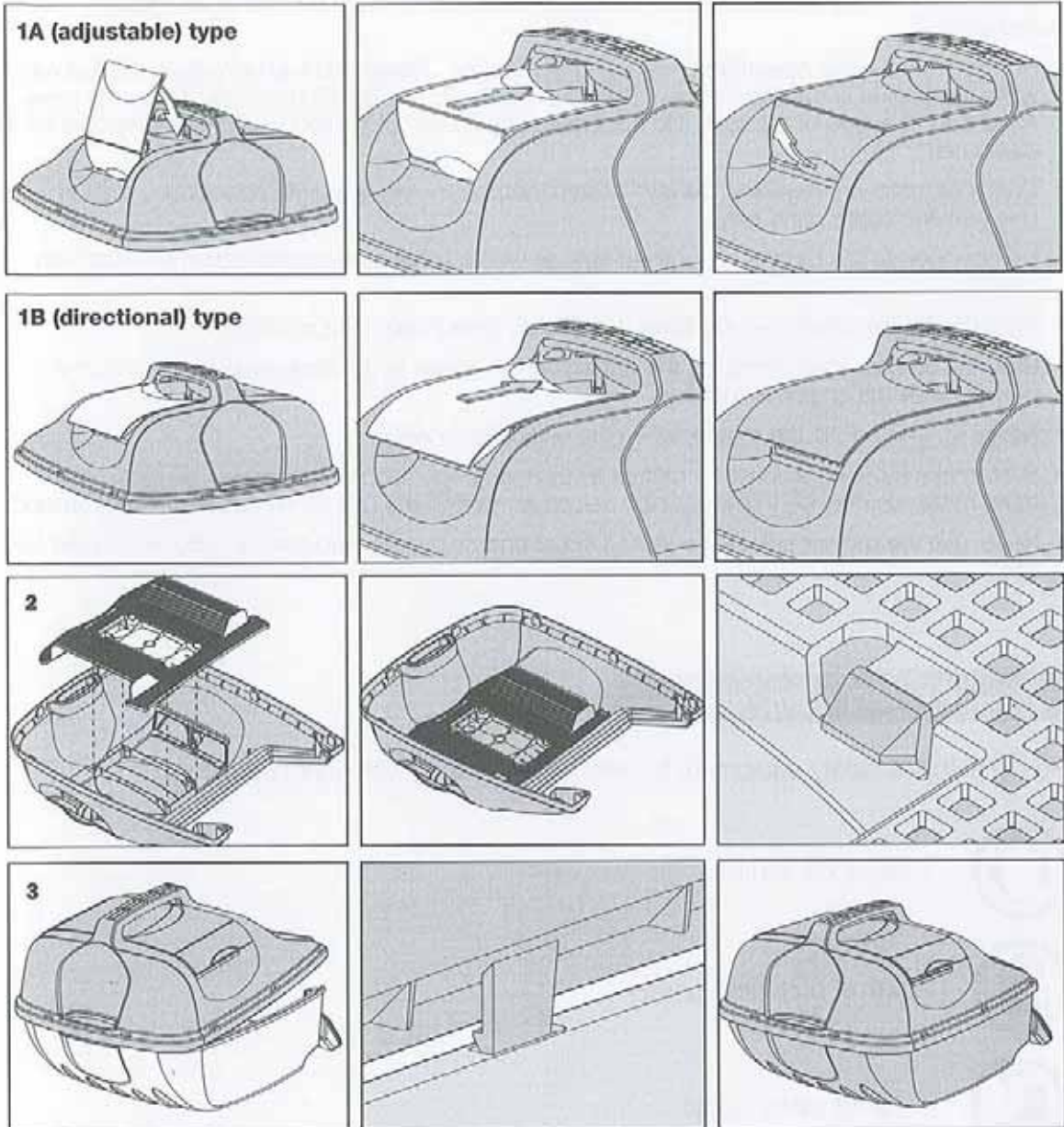


Eye protection.



ASSEMBLY PROCEDURES

Grasscatcher - hard/solid type

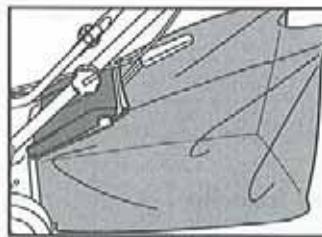
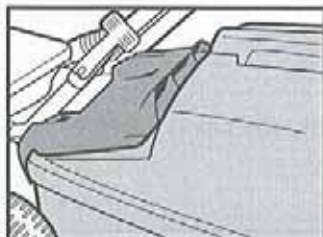
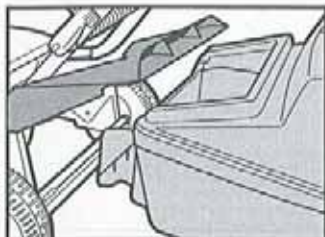


Assembling the grasscatcher

- 1 Assemble the adjustable covers 1A or directional covers 1B to the top half of the grasscatcher
- 2 Locate the centre protrusion of the mesh into the centre hole on the inside of the catcher top, ensuring the curved edge of the mesh faces the rear handle. Firmly push the mesh into the top half of the catcher, making sure that the four snap hooks engage securely.
- 3 Loosely locate the rear handle areas of the top and bottom catcher halves then loosely locate the side edges. Check that all eight hooks from the top half are loosely located in the slots on the bottom half then firmly push the two halves together over each snap hook. Check that all of the snap hooks have engaged securely.
- 4 Tighten the two screws fitted to the front of the catcher.



Grasscatcher



Fitting the grasscatcher

- Stop the engine.
- Raise the rear flap. Locate the grasscatcher tongue over the rear axle and insert the grasscatcher under the rear flap.
- Lower the rear flap to retain the grasscatcher.

Handle knobs/toggles



Mowers will have either knobs or toggles to fix the handles in position. Refer to the instruction below which is specific to your particular model.

- Tighten the handle knobs to secure the upper handle to the lower handle.
- Flip the handle toggles to secure the upper handle to the lower handle.
- On some models the knobs/toggles have to be consumer fitted.



When folding or unfolding the handles, ensure that the starter switch lead is not caught or stretched (Keystart models only).



ASSEMBLY PROCEDURES

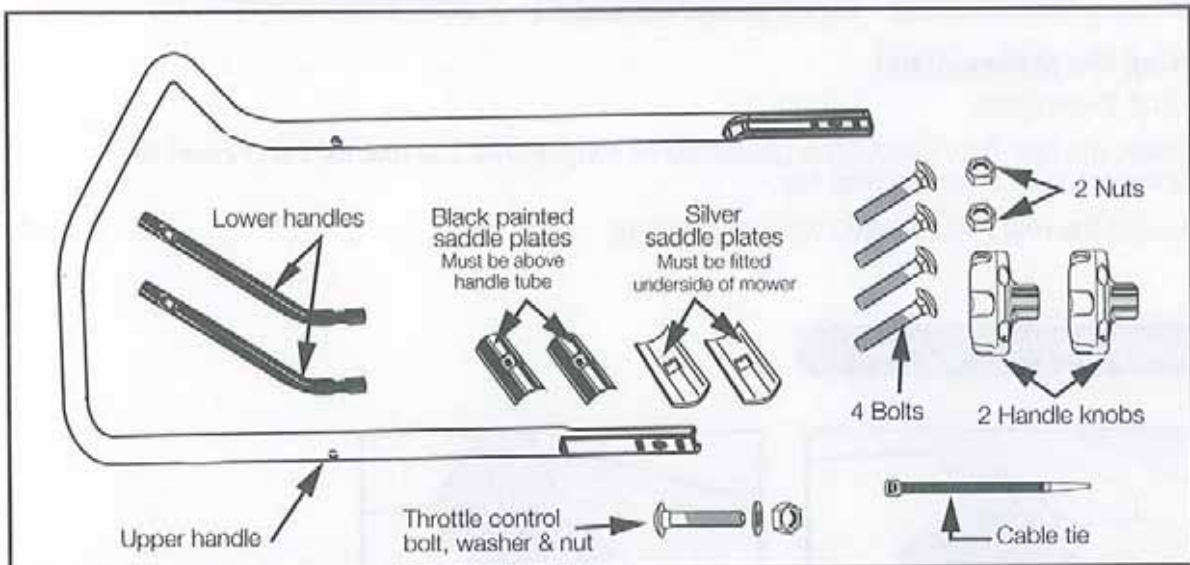
Handle assembly parts (only on self assembled handle)

Model

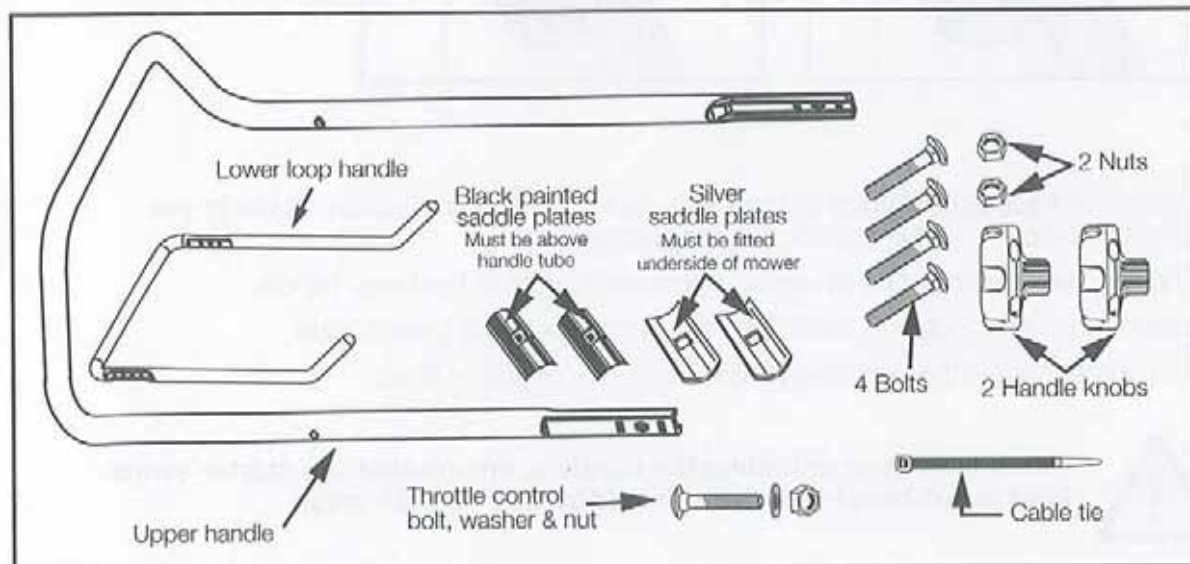
All 18 inch steel models

Your lawnmower should include a kit with the following parts.

Straight lower handle



Lower loop handle



Please Note: Some models come with straight or comfort grip upper handles.
Some models come with straight or looped lower handles



When folding or unfolding the handles, ensure that the starter switch lead is not caught or stretched (Keystart models only).

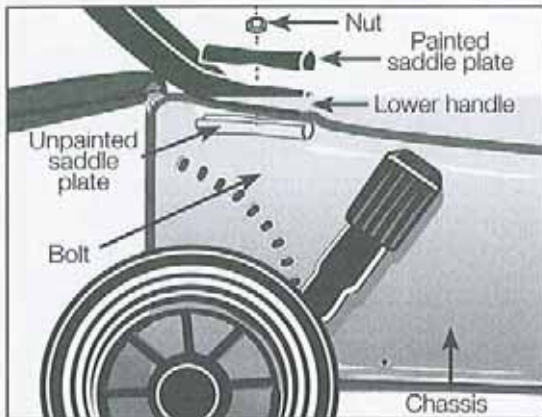
ASSEMBLY PROCEDURES



Attaching the lower handles straight and loop

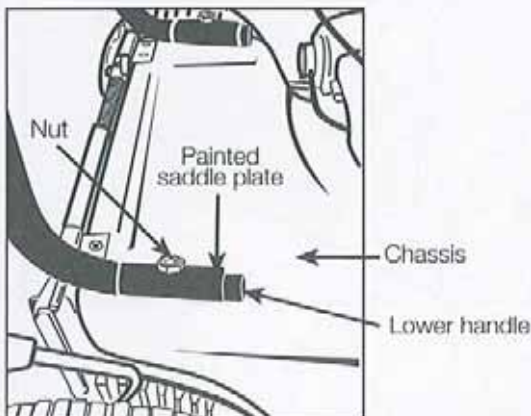
Model

All 18 inch steel models



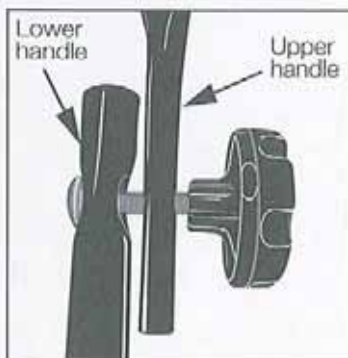
Disconnect spark plug lead first

1. Place one of the bolts through one of the unpainted saddle plates
2. Whilst holding open the rear catcher flap, insert the bolt and saddle plate through the rear of the mower and up through the small hole in the left hand side of the lawnmower chassis, from underside.
3. From the topside, place lower handle (straight or loop), then one of the black painted saddle plates onto the protruding bolt.
4. Thread one of the nuts onto the top of the bolt, and tighten with fingers
5. Push and hold the bolt up so that the square shoulder of the bolt is located in the unpainted saddle plate then tighten the nut to 22Nm.
6. Repeat on other side.



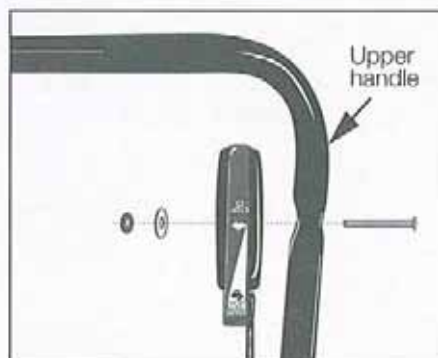
Attaching upper handle

Comfort grip & straight handles

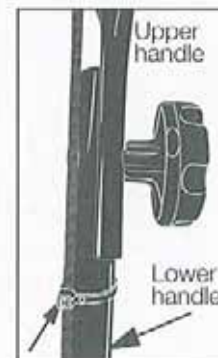


- Attach the upper handle to the lower handles using the knobs and bolts provided. The knobs should be on the outside.

Attaching the throttle control



- Attach the throttle control to the inside of the upper handle, so that the lever lifts upward toward the user.

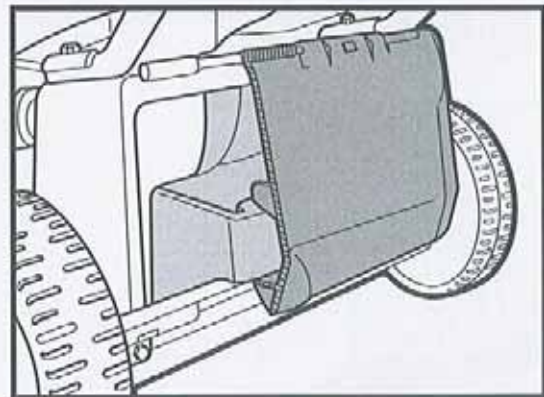
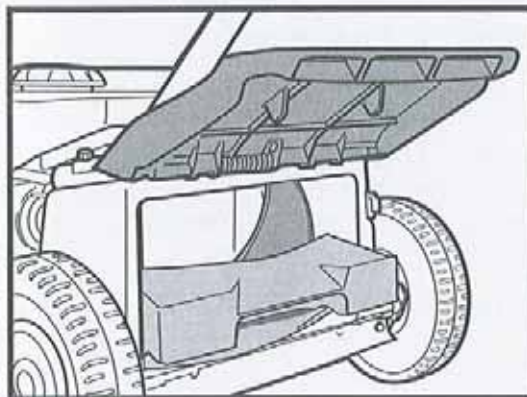
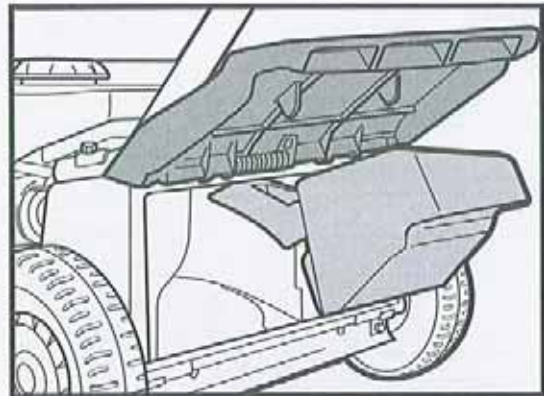
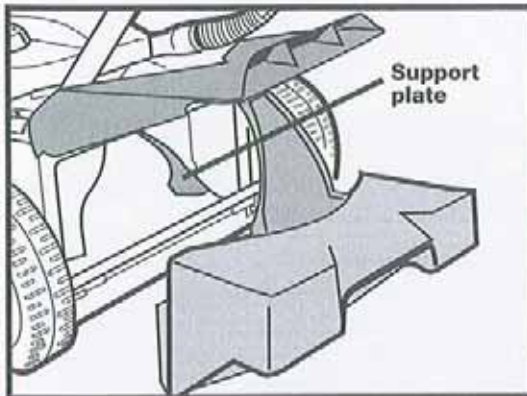


- Secure the throttle cable to the lower handle with the cable tie.



ASSEMBLY PROCEDURES

Mulching plug - (mulch or catch models only)



- Stop the engine and set the mower height setting.
- Mulching is most effective between height settings 4 and 10.
- Lift the rear flap and identify the support plate as shown. Note the orientation of the mulching plug.
- Insert the mulching plug into the baseplate.
- Ensure that the mulching plug is resting on the support plate and is positioned against the inside of the baseplate. Push the mulching plug down so that it rests flush against the rear cross member.
- Close the rear flap ensuring that it closes fully. The rear flap should rest on the mulching plug as shown in the sectional illustration.



STOP the engine before inserting or removing the mulching insert.

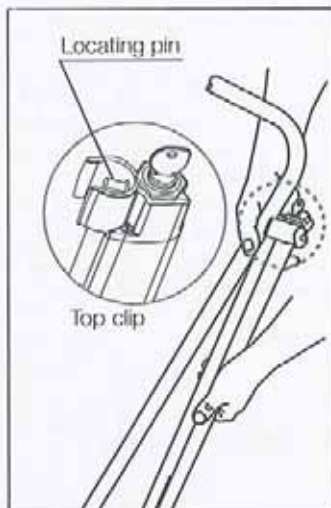
ASSEMBLY PROCEDURES



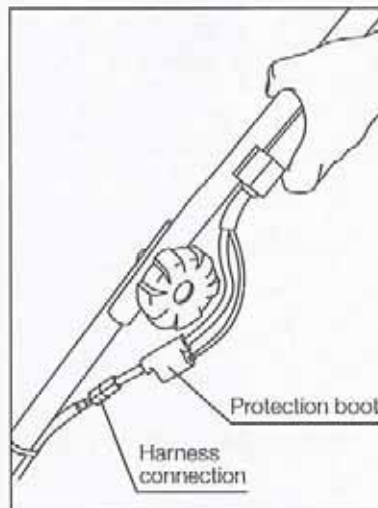
Attaching the battery

(Applicable to keystore models only)

- Clip battery pack to handles, ensuring that the locating pin in the top clip is inserted into the hole in the top of the upper handle tube.
- Plug harness into connector (this may already have been connected at manufacture, if not please connect).



Top of upper handle

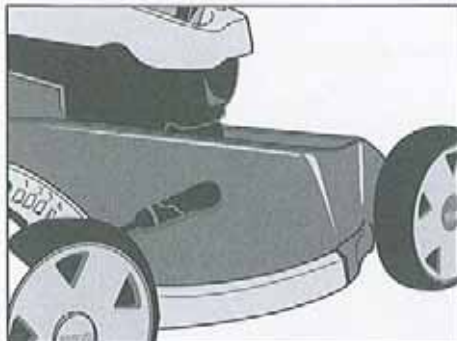


Bottom of upper handle



OPERATING INSTRUCTIONS

Mulching / catching



Height adjustment allows lawn to be cut at different lengths.

- Set cutting height by adjusting the height lever.
- For Mulch or Catch models, mulch grass between settings 4 to 10.
- A lower setting may be used depending upon conditions.



STOP the engine before adjusting the cutting height.

Mowing & mulching tips

- A mulching mower is designed to cut, retain, and recut the clippings until they have reached a very small size. These are then blown down into the root system as nutrients for your lawn.
- For best mulching results only mow the top 1" / 2.5cm of lawn growth. If grass has become excessively long choose a height setting and gradually reduce the cutting height after each pass, or use catcher.
- Mulch grass between heights settings 4 and 10. A lower setting may be used depending on conditions
- Dry grass will aid in the mulching action of the mower.
- Cut the grass regularly to avoid it becoming too long and making it difficult to mulch.
- As a general rule, only cut the top one third of the grass length (approximately). More than this may leave an untidy appearance and finish.
- Mulching is sensitive to the chosen height setting. If the height setting is too low cut grass may be left on top of the lawn. In this case raise the height setting.
- Cut the grass in the late afternoon or morning. This will stop the grass being damaged by direct sunlight.
- To maintain cutting performance keep the underside of the mower clean.
- The cutting pattern should be varied from week to week (eg. North-South to East-West).
- When using a mulcher the grass tends to be carried along with the mower. Mow from the thick grass to light grass as this will deposit clippings and encourage growth in these areas.
- Excessively long grass will not be mulched adequately, in this case, it is recommended to use catcher.
- Worn or incorrect blades will reduce lawn finish and will not mulch properly. Use only genuine Bushranger blades and replace them regularly.

OPERATING INSTRUCTIONS



Starting & stopping

4 Stroke Engine - Briggs & Stratton, see engine manual and procedure below.

STARTING COLD

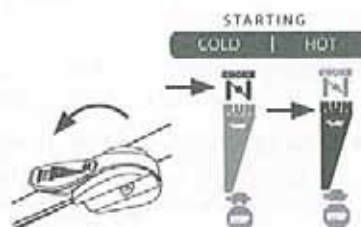
1. Move the throttle control lever to the choke/start position.

Starting hot: Use the RUN position if the engine is warm

Note: If engine does not have a choke. Move the throttle lever to the START position and primer 3 times slowly.

COLD START: Press the primer bulb three times pausing each time.

HOT START: Priming may only be necessary if the mower fails to start.



2. Pull the starter grip lightly until resistances felt, then pull briskly.

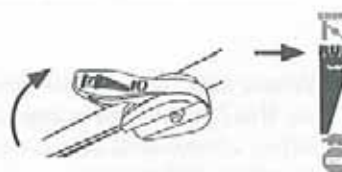


CAUTION!

Do not allow the starter grip to snap back against the engine. Return it gently to prevent damage to the starter.



3. When the engine warms up, move the throttle to the RUN position.



STOPPING THE ENGINE

Move the throttle control lever to the STOP position.

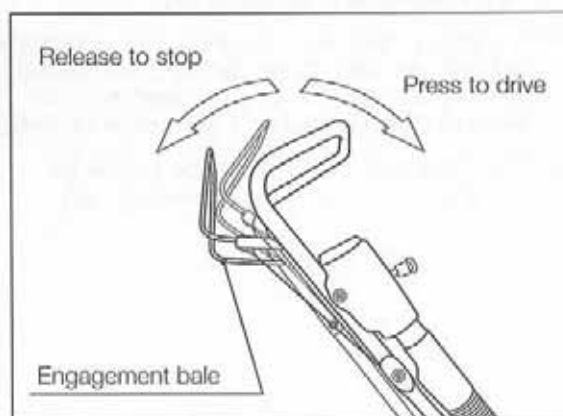


Self propelled

Drive control operation

- To engage drive - press engagement lever against mower handle.
- Hold there while drive is required.
- To disengage drive - release lever.

NOTE: Drive control adjustment is automatic. All self propelled models are fitted with a self adjusting mechanism which eliminates the need for any drive control adjustment.





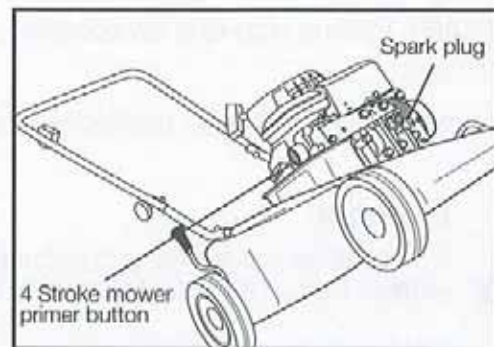
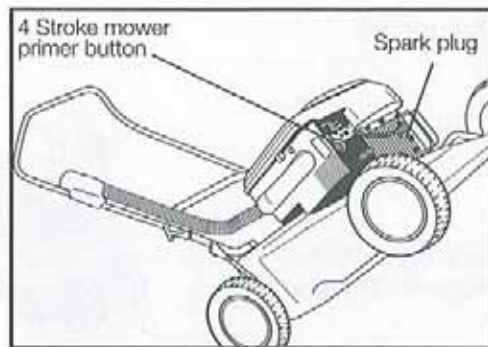
OPERATING INSTRUCTIONS

Cleaning

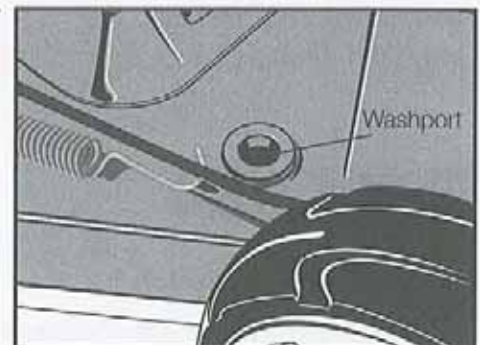


Before cleaning the mower, ensure the throttle lever is in the 'STOP' position. Turn the fuel tap off, disconnect the spark plug lead and wedge it between the cylinder fins, disconnect the battery on keystack models.

- Remove grass build up from the air intakes on the top of the mower cowl, around the engine and carburettor, and around the air filter body.
- The underside of the mower should be cleaned regularly to remove dirt and grass build up, as any build up will adversely affect grass catching and mulching performance and can promote corrosion on steel baseplates.



- **When cleaning the underside of the mower, always tilt handle back to ground level so the front wheels are off the ground and spark plug is pointing to the sky. Tilting in other directions can cause the oil to contaminate the fuel & damage airfilter causing starting difficulties.**
- A hose may be used on the underside of your mower ONLY. Care must be taken to NOT get water into the engine, as it may damage the magneto or get into the fuel system.
- If your mower is fitted with a washport, simply attach a garden hose whilst the engine is running and turn on the water.
- On keystack models keep the battery, starter switch, starter motor and all leads dry.
- To prevent chassis corrosion, the underside of your mower should be cleaned immediately after mowing an area which has been recently dressed with sulphate of ammonia or fertiliser.
- After cleaning, run the engine briefly to dry off excess moisture before storing.



(Only on some alloy baseplate models)

OPERATING INSTRUCTIONS



Blade replacement

Model

All 19 inch steel & alloy chassis models

All 18 inch steel chassis models

For Your Safety

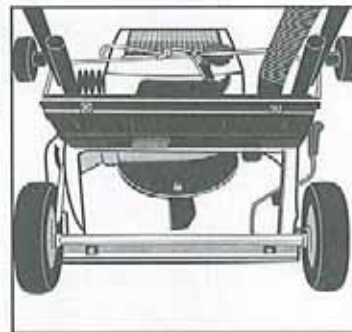
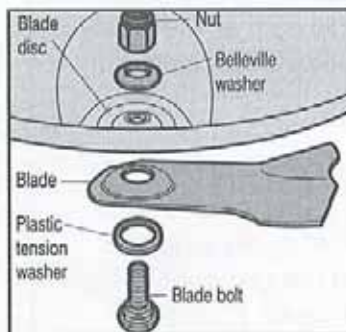
- Never use the mower unless the grasscatcher or the guards supplied by the manufacturer are in position.
- Before starting the mower check blades and bolts for damage or wear.
- If you strike an obstruction, stop the engine and check the blades for damage.



Worn and damaged blades are major hazards.

- Stop the engine and disconnect the spark plug lead before fitting new blades.
- Work from the catcher flap.

With the rear flap secured, undo the blade nut, applying upward pressure to the bolt head into the blade disc. *(The head of the bolt will not rotate due to the diamond shape in the underside of the head).*



Assembly: Fit as per the drawing remembering to push the head of the bolt into the blade disc. (this will stop the bolt head from turning). Ensure correct order of assembly.

DO NOT lay mower on side (4 stroke models).

- We recommend changing blades, bolts, nuts and washers as a set. Metal fatigue and damage may occur which may not be visible to the operator. Always replace all blades to ensure correct engine balance, reducing vibration and wear. Tighten nuts on blade bolts to 14-19 Nm (Newton Metres) or 10-14ft lbs.
- **Always turn the nut to check tightness, not the bolt.**



Use only genuine replacement Bushranger parts. Insist on them from your parts and service dealer. Detailed fitting instructions are printed on genuine blade packs. Use of non-genuine blades may void your warranty and could result in damage or injury.



MAINTENANCE & CARE

Remote air filter maintenance

For correct engine performance and to guard against dust entering the engine, causing rapid wear, the air filter assembly must be clean and maintained in good condition. BUSHRANGER recommends that the air filter element and seal ring are replaced annually, or more often in dusty conditions. Always replace with genuine spare parts. Use of non-genuine spare parts may damage your mower engine, and void the product warranty.

Replacing air filters

STOP ENGINE.

Fig. 1 4 stroke models, twist filter cap anti-clockwise and remove cap from filter housing.

To stop loose material falling into filter body, tilt upper handle so that filter body is up-side down. Remove filter element and seal ring.

Fig. 1



Fig. 2 Clean filter element "A" by tapping it on palm of hand. Do not use compressed air or wash with any liquid. Examine element for holes, splits or permanent clogging. Replace if necessary.

Dust-off seal ring "B" and examine. Replace if damaged or permanently crushed.

Fig. 2

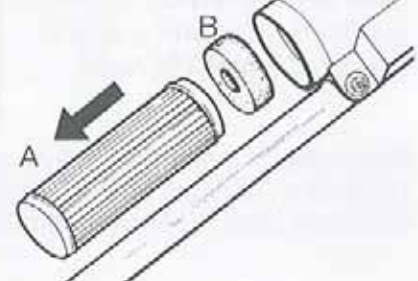
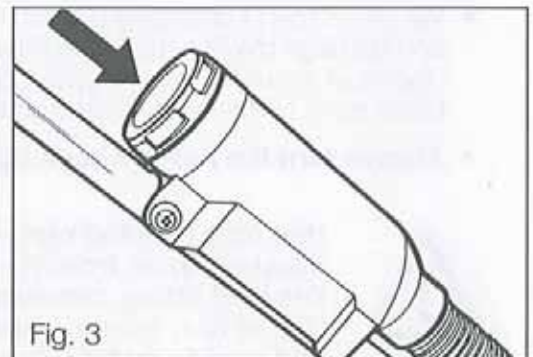


Fig. 3 Fit or refit seal ring and filter element. Tilt upper handle back to normal position. Push filter cap on, ensuring teeth engage in slots on filter housing.

Fig. 3





Maintenance chart

Refer to the following table for routine maintenance.

Features	Requirements	Time Period							
		Before start	After finish	Refuelling	Weekly	Monthly	If faulty	If damaged	As required
Lawnmower	Visual inspection (leaks)	•		•					
Throttle lever	Check operation		•						
Remote air filter hose	Check	•				•			
Cutting system (Blades)	Inspect and check assembly	•							
	Replace						•	•	
Rear flap	Inspect and check assembly	•							•
Chassis	Check for buildup of grass		•						
	Clean		•						
	Replace							•	
Air filter	Check	•							
	Clean	•							
	Replace						•	•	
Engine cylinder fins	Clean					•			•
Spark plug	Replace						•		•
All accessible fasteners	Check	•							
	Retighten								•
Engine mounting bolts	Check & retighten					•			
Mulching plug	Inspect and check assembly	•							•
Muffler	Inspect					•		•	
	Replace							•	•
Grasscatcher	Check	•							
	Clean		•						
	Replace							•	



Before carrying out maintenance, STOP the engine, disconnect the spark plug lead from the spark plug and wedge it between the cylinder head fins. Remove the starter key from the ignition switch of keystart models and disconnect the battery.



Never attempt maintenance that is not outlined in this manual. All repair work must be carried out by a BUSHRANGER Authorised Service Centre.



MAINTENANCE & CARE

Troubleshooting

In small engines generally, difficult starting and erratic running is most often caused by a dirty spark plug. If a new spark plug of the correct type does not restore the engine to proper operating condition, the problem may be solved by reference to the chart below.

Problem	Possible cause	Correction
Does not start	Out of fuel	Refill tank with correct fuel
	Throttle lever in incorrect position	Refer to 'Starting Procedures'
	Spark plug lead not connected	Press terminal cover fully onto the spark plug
	Engine flooded	Turn fuel tap 'OFF'. Pull starter cord until engine starts, then turn fuel tap 'ON'
	Dirty spark plug	Replace spark plug
	Stale fuel in tank from last season	Contact Service Centre
	Water in fuel tank	Contact Service Centre
	Service required	Contact Service Centre
	Engine worn	Contact Service Centre
Low or no oil (4 stroke)	Check	
Loss of power	Incorrect throttle setting	Set throttle lever in the 'RUN' position
	Dirty air filter element	Clean or replace
	Too low height adjustment	Raise cutting height
	Low or no oil (4 stroke)	Check
Poor cutting or catching	Blades worn or damaged	Replace
	Blade disc loose	Contact Service Centre
	Slow running	Refer to 'Loss of Power' above
	Blades restricted by grass and dirt accumulated under the baseplate	Remove spark plug lead and clean under the baseplate
	Blocked vents in grasscatcher	Clean vents
Excessive vibrations	Build up of grass and dirt on upper surface of blade disc	Clean
	Blades out of balance	Replace both blades
	Bent or damaged disc or blade	Replace disc or both blades
	Looseness of assembly	Check all nuts for tightness
	Low or no oil (4 stroke)	Check
Engine stops frequently	Fuel supply blocked	Check fuel line
	Engine worn or seized	Contact Service Centre
	Fuel cap not venting	Check / Loosen cap slightly
	Low or no oil (4 stroke)	Check

If running difficulties continue, please contact your closest Bushranger Authorised Service Centre. You will find the latest Service Centre listing on the Powerup Lawncare Products website, www.poweruplawncare.com.au or contact Customer Service.



Warranty

Consumer rights

The buyer should be aware that in relation to goods which are of a kind ordinarily acquired for personal, domestic or household use or consumption, certain provisions such as the Trade Practices Act, 1974 (Aust) and the Consumer Guarantees Act, 1993 (NZ) apply. The terms set out below do not exclude rights and remedies implied by a statute which are non-excludable and which may be more extensive than those provided by this warranty.

Warranty service

Warranty service under both the express warranty and the warranties implied by law is available at any BUSHRANGER Authorised Service Centre. These centres are staffed and equipped to provide expert service.

BUSHRANGER express warranty

The BUSHRANGER express warranty is additional to the conditions and warranties which are mandatorily implied by the laws and regulations of the individual States and Territories of Australia and the Trade Practices Act, 1974 (Aust) and the Consumer Guarantees Act in New Zealand and any non-excludable laws.

Petrol mower models	Domestic use	Professional use
Warranty 18 inch		
46TB4 + 46TB5M	2 Years	3 Months
Warranty 19 inch		
All Other 19 inch 48TB5M	2 Year	3 Months
All Other 19 inch 48TB6M	2 Year	3 Months
Warranty 19 inch		
48AB6M	3 Years Chassis	3 Months
48AB6IM	2 Years Engine	3 Months
*Keystart battery	1 Year	3 Months



WARRANTY

Warranty continued

Under express warranty the Lawnmower is warranted from the date of purchase against mechanical defects and faulty workmanship or material. Express warranty covers only the replacement, repair or adjustment of parts which fail due to a fault in manufacture.

Defective parts will be replaced or serviced by an Authorised Service Centre without charge for labour or materials, subject to conditions. Repairs or adjustments required by normal use or by failure to follow the manufacturer's instructions are chargeable to the owner.

You should seek independent legal advice to determine whether a claim not covered by the express warranty is covered by any warranties implied by law.

- Express warranty applies to the original purchaser only. Proof of purchase date must be provided prior to express warranty work.
- Use of parts other than genuine Bushranger spare parts cancels the express warranty.
- Repairs other than by an Authorised Service Centre cancels the express warranty.
- Altering the product (including governed speed) cancels the express warranty.
- **A lawnmower run with incorrect fuel, oil or oil level, is not covered by the express warranty.**
- Failure to properly service cooling or air filtration systems cancels the express warranty.
- Failure to follow the instruction manual or labels attached cancels the express warranty.
- Fair and reasonable wear is not covered by the express warranty.
- Damage from an accident, misuse or neglect is not covered by the express warranty.
- Costs of transportation of the lawnmower are to be paid by the owner.
- **Blades and spark plugs are not covered by the express warranty.**

Limitations of warranty

Nothing in these terms shall exclude, restrict or modify any term, condition, warranty or liability implied into this contract by statute, where to do so would be unlawful or would render any provision of this contract void. Subject to that, all warranties implied by statute in respect of the goods are hereby expressly negated and the manufacturer's liability for the goods is limited to any warranties issued in writing by manufacturer and manufacturer is excluded from any liability whether under this contract or otherwise to the buyer of any third party for any loss, injury, cost or damage (direct, indirect, special, consequential, or otherwise and whether or not arising from a negligent act or omission of the manufacturer), incurred or suffered by reason for the goods, their use, their design or any failure to deliver or delay in delivering them. Where it is legal to do so, any remaining liability implied by statute or resulting from breach of any term, condition or warranty implied by statute is limited to, at the manufacturer's sole option:

- the replacement of the goods or the supply of equivalent goods;
- the repair of goods;
- the payment of the cost of replacing the goods or of acquiring equivalent goods; or
- the payment of having the cost of the goods repaired.

In particular, your rights and remedies under the Trade Practices Act (Aust) and the Consumer Guarantees Act (NZ) are not excluded.

INSTRUCTIONS

Blank lined area for notes.

©2010 Powerup Lawncare Pty Ltd

Bushranger is a trademark of Powerup Lawncare Products Ltd.

All rights reserved. No part of this booklet may be reproduced by any means without prior written permission. All information herein is subject to change without notice.

www.poweruplawncare.com.au

LR00911A

A1	AT	DT	Revised	17/02/10
Rev	Own	Chk	Release	Date