

Repair Parts Manual



LAWN TRACTOR

22 HP,* 42" Mower

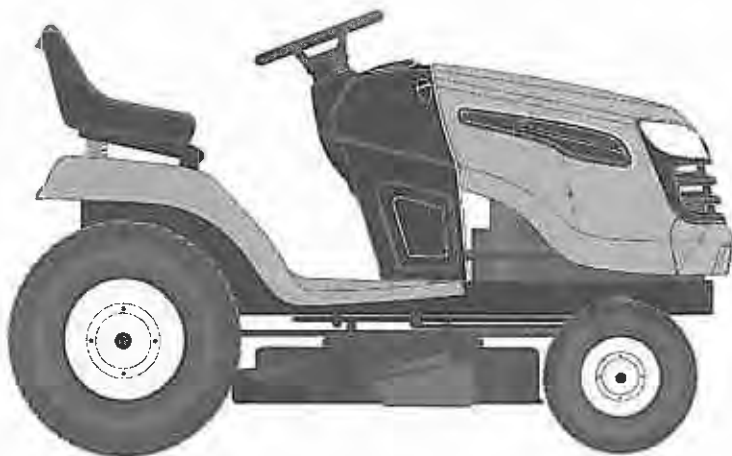
Electric Start

Automatic Transmission

Model No.

~~917-289342~~

28934



For answers to your questions
about this product, Call:

1-800-659-5917

Sears Craftsman Help Line

5 am - 5 pm, Mon - Sat

SEARS, ROEBUCK AND CO., HOFFMAN ESTATES, IL 60179 U.S.A.

Visit our Craftsman website: www.sears.com/craftsman

*As rated by the engine manufacturer

⚠ WARNING: This tractor is equipped with an internal combustion engine and should not be used on or near any unimproved forest-covered, brush-covered or grass-covered land unless the engine's exhaust system is equipped with a spark arrester meeting applicable local or state laws (if any). If a spark arrester is used, it should be maintained in effective working order by the operator.

In the state of California the above is required by law (Section 4442 of the California Public Resources Code). Other states may have similar laws. Federal laws apply on federal lands. A spark arrester for the muffler is available through your nearest Sears service center (See ENGINE ASSEMBLY section of this manual).

REPAIR PROTECTION AGREEMENTS

Congratulations on making a smart purchase. Your new Craftsman® product is designed and manufactured for years of dependable operation. But like all products, it may require repair from time to time. That's when having a Repair Protection Agreement can save you money and aggravation.

Purchase a Repair Protection Agreement now and protect yourself from unexpected hassle and expense.

Here's what's included in the Agreement:

- **Expert service** by our 12,000 professional repair specialists.
- **Unlimited service and no charge** for parts and labor on all covered repairs.
- **Product replacement** if your covered product can't be fixed.
- **Discount of 10%** from regular price of service and service-related parts not covered by the agreement; also, 10% off regular price of preventive maintenance check.
- **Fast help by phone** – phone support from a Sears representative on products requiring in-home repair, plus convenient repair scheduling.

Once you purchase the Agreement, a simple phone call is all that it takes for you to schedule service. You can call anytime day or night, or schedule a service appointment online.

Sears has over 12,000 professional repair specialists, who have access to over 4.5 million quality parts and accessories. That's the kind of professionalism you can count on to help prolong the life of your new purchase for years to come. Purchase your Repair Protection Agreement today!

Some limitations and exclusions apply.

For prices and additional information call 1-800-827-6655.

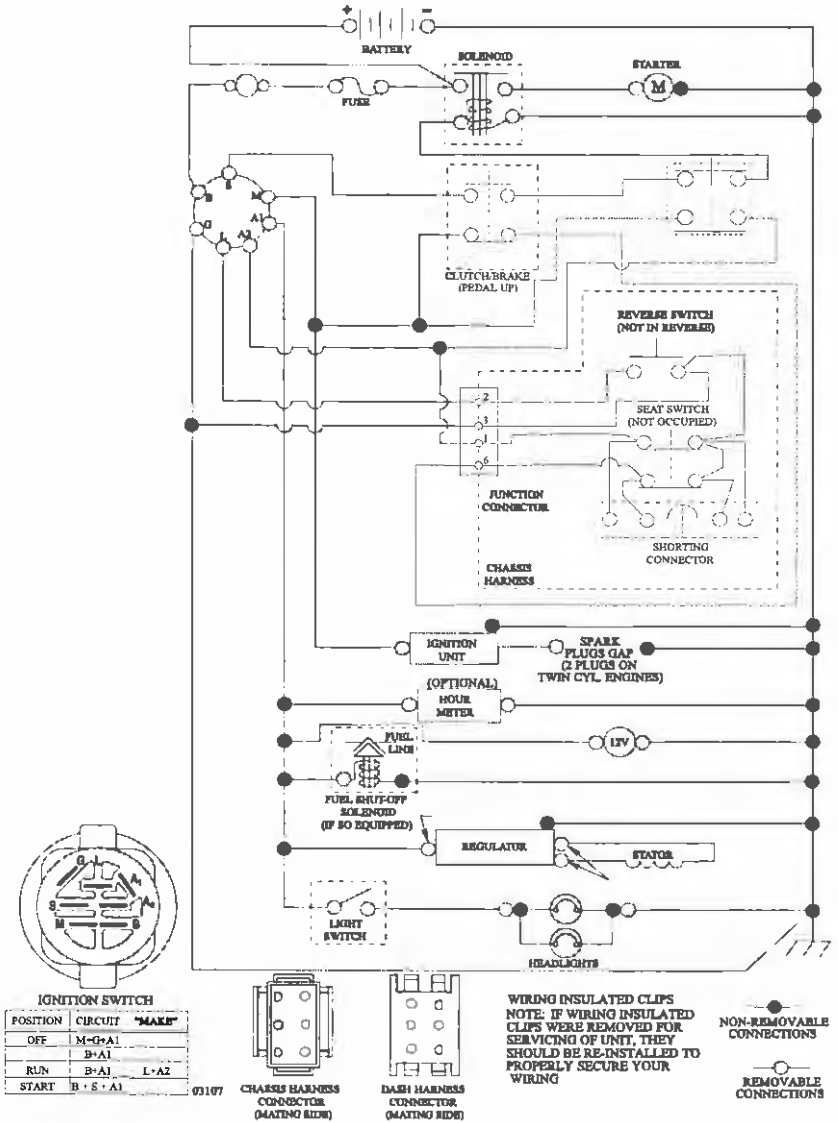
SEARS INSTALLATION SERVICE

For Sears professional installation of home appliances, garage door openers, water heaters, and other major home items, in the U.S.A. call 1-800-4-MY-HOME®

SCHEMATIC

TRACTOR -- MODEL NUMBER 917.289342

9CH10



TRACTOR -- MODEL NUMBER 917.289342

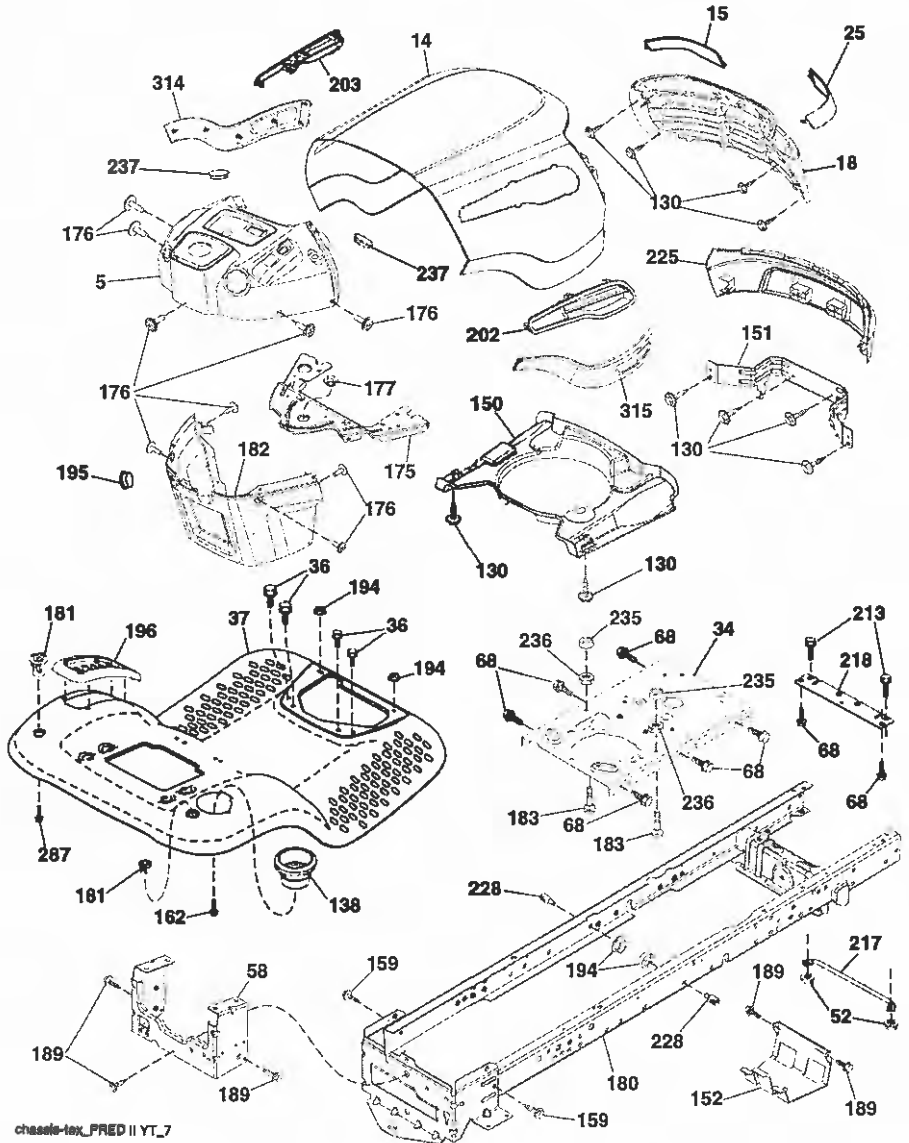
ELECTRICAL



KEY NO.	PART NO.	DESCRIPTION
1	163485	Battery
2	74760412	Bolt Hex Hd 1/4-20 unc x 3/4
8	193228	Box Battery
16	176138	Switch Interlock Push-In
21	400252	Harness Socket Light w/4152J
22	4152J	Bulb Light
25	412895	Cable Starter
26	175158	Fuse
27	73510400	Nut Keps Hex 1/4-20 unc
28	198885	Cable, Ground
29	401545	Switch, Seat
30	193350	Switch, Ign
33	411932	Key/Chain
34	110712X	Switch Light/Reset
40	401098	Harness Ign. Dash
41	17720408	Screw Thd Cut 1/4-20 x 1/2
42	131563	Cover, Terminal
43	182507	Solenoid
55	17060512	Screw Thdrol 5/16-18 x 3/4 TYTT
71	400449	Harness Ign. Chassis
79	175242	Bulbholder Asm. Incan Descent
87	197802	Switch Interlock Clutch Cable
90	400725	Cover Terminal Battery
102	404454	Harness Pigtail K46 Tex Ros
105	407568	Switch Reverse TT

NOTE: All component dimensions given in U.S. Inches
1 Inch = 25.4 mm

TRACTOR -- MODEL NUMBER 917.289342
CHASSIS ASSEMBLY



chassis-lex_PRED II YT_7

TRACTOR -- MODEL NUMBER 917.289342
CHASSIS ASSEMBLY

KEY PART NO.	PART NO.	DESCRIPTION
5	421810X428	Dash
14	421154X615	Hood
15	421493X599	Lens LH
18	423157	Grille
25	421494X599	Lens RH
34	196125	Plate engine
36	17060512	Screw 5/16-18 x 3/4
37	414879X615	Fender
52	73680500	Nut Crown lock 5/16-18
58	412280	Drawbar Upper
68	17490508	Screw Thdrol 5/16-18 x 1/2
130	416358	Screw # 10 x .750 BOS Thread
138	193224X428	Cupholder
150	199412	Duct Heat Hood
151	198332	Bracket Pivot
152	199535	Shield Browning/Debris
159	17000612	Screw Hexwsh Thdrol 3/8-16 x 3/4
162	142432	Screw Hex Wsh HI-Lo 1/4 x 1/2
175	198304	Crossmember
176	400776	Screw 10-24 x 5/8 Wshd Qdrix
177	195227	Bushing Steering
180	415063	Chassis
181	193102X428	Bushing Mtg. Fender Crgo.
182	406859	Dash Lower
183	74780520	Bolt Fin Hex 5/16-18 x 1-1/4
189	17000512	Screw 5/16 - 18 x 3/4
194	73900500	Nut Lock Hex Flange 5/16-18
195	401556x428	Plug Hole Dash 12V Adapter
196	414579	Console Asm. Deck Lift
202	423175	Vent Side Hood RH
203	423174	Vent Side Hood LH
213	74760512	Bolt hex HD 5/16-18 unc x 3/4
217	409167	Rod Pivot Chassis
218	196395	X piece hood stop
225	421255X615	Bumper
228	195161	Stud Fastener
235	408129	Spacer Fender
236	73930500	Nut Center Lock 5/16-18
237	403704	Plug Mount Cargo
287	17600406	Screw Hex Washhead 1/4-20 x 3/8
314	425293	Trim SD LH
315	425294	Trim SD RH
---	404951X428	Plug Dash SRVMNDR

NOTE: All component dimensions given in U.S. inches
1 inch = 25.4 mm

TRACTOR - - MODEL NUMBER 917.289342

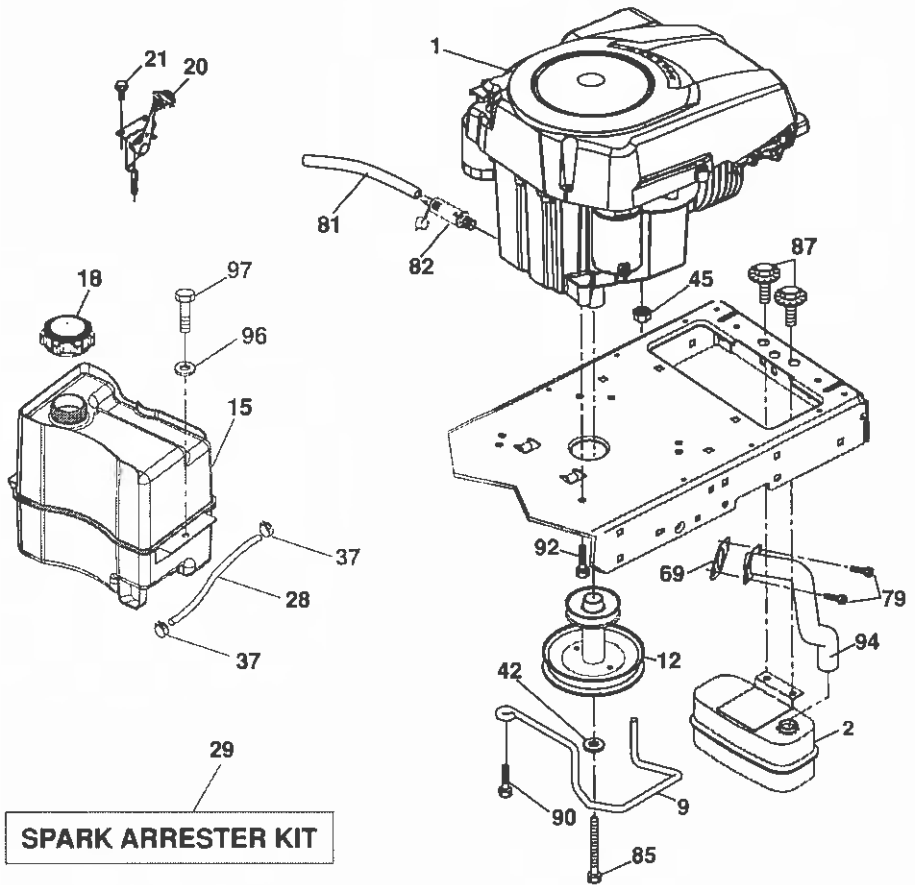
GROUND DRIVE

KEY PART NO.	PART NO.	DESCRIPTION	KEY PART NO.	PART NO.	DESCRIPTION
1	-----	Transaxle, TUFFTORQ K48 BT	184	198439X505	Handle Parking Brake
2	123583X	Key Square	185	72110622	Bolt rdhd Sqkn 3/8-16 x 2-3/4 Gr. 5
15	19131316	Washer 13/32 x 13/16 x 16 Ga.	186	184321	Spacer Retainer
17	413678	Spring, Brake	187	19133210	Washer
26	199679	Spring Return Cruise	188	194323	Link Clutch Ground Drive
29	403606	Rod, Brake	189	194317	Bellcrank Ground Drive
33	12000001	Ring E	190	194318	Keeper Bellcrank Ground Drive
35	199591	Rod, Brake, Park	205	121748X	Washer
42	8883F	Cover, Foot Pedal	206	197867	Bracket Mount Latch Cruise
49	72110614	Bolt	207	197868	Latch Control Cruise
50	194327	Pulley Idler Flat	208	197869	Bolt Sector Control Cruise
51	73900600	Lock Nut 3/8-16	209	199592	Rod Control Cruise
52	194326	Idler V-Groove 910° Offset	210	400980	Rocker Asm. Pedal Control
56	130969	V-Belt, Drive	211	120183X	Bearing, Nylon
64	197865	Shaft Asm. Pedal Brake Control	213	196441X428	Knob Control Cruise
73	74490544	Bolt 5/16-18 Gr. 5	214	421263	Pedal Forward
80	410024	Strap Torque	215	197301X428	Pedal Reverse
92	74760520	Bolt Fin Hex 5/16-18 unc x 1.25	216	196131	Bracket Pulley Idler
99	415742	Rod Bypass	221	403187	Retainer Spring Clip Handle
116	73900500	Nut Lock Hex Flange 5/16-18	222	79212010	Washer 21/32 x 1-1/4 x 10 Ga.
125	17000512	Screw 5/16-18 x 3/4	225	403319	Keeper Belt trans.
143	17490508	Screw 5/16-18 x 1/2	226	401584	Bracket Mount Torque
153	STD624003	Retainer Spring	230	188967	Washer Harden
159	76020412	Pin Cotter 1/8 x 3/4	231	407267	Idler V-Groove 1.688° Offset
160	169484	Retainer Clip			
161	105709X	Spring, Return, Clutch			
163	401034	Rod Pedal Control			
166	197290	Nut, Push .625			
167	405257	Latch Brake Parking			
170	413430	Keeper Belt Centerspan			
183	137057	Spacer Split			

NOTE: All component dimensions give in U.S. inches
1 Inch = 25.4 mm

TRACTOR - - MODEL NUMBER 917.289342

ENGINE



SPARK ARRESTER KIT

engine-tex, Kohler 6

KEY PART NO.	NO.	DESCRIPTION
1	-----	Engine Kohler Model No. SV620-0210
2	188655	Muffler
9	194320	Keeper Bolt Engine
12	405471	Pulley Engine
15	407489	Tank Fuel
18	425162	Cap Asm
20	175438X428	Control Throttle
21	416358	Screw #10 x .750 BOS Thread
28	401137	Fuel Line
29	137180	Spark Arrester Kit
37	123487	Clamp Hose
42	10040700	Washer Lock 7/16
45	73510400	Nut Keps Hex 1/4-20 unc
69	185909	Gasket
79	192334	Screw Socket HD 5/16-18 x .75

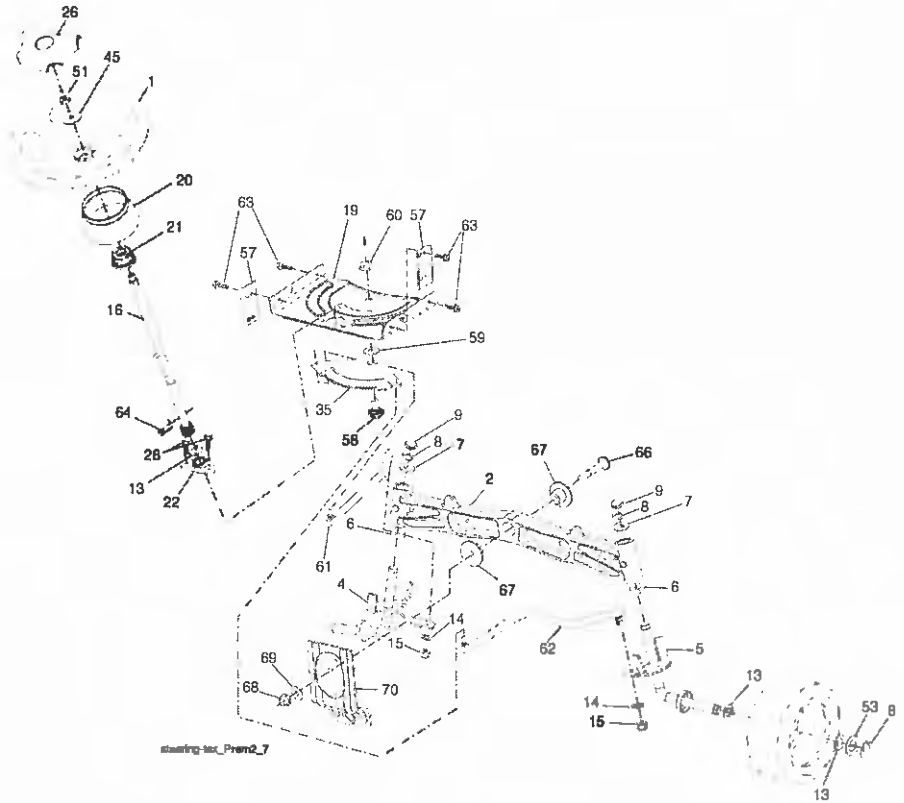
KEY PART NO.	NO.	DESCRIPTION
81	148456	Tube Drain Oil Easy
82	181654	Plug Drain Oil
85	173937	Bolt Hex 7/16-20 x 4 Gr. 5
87	171877	Bolt 5/16-18 unc x 3/4 w/Sems
92	17120616	Screw 3/8-18 x 1
94	188654	Tube Exhaust
90	17000616	Screw 3/8-18 x 1
96	19091416	Washer 9/32 x 7/8 x 16 Ga.
97	17670412	Screw Hexwsh Thdrol 1/4-20x3/4

NOTE: All component dimensions given in U.S. inches
1 inch = 25.4 mm

For engine service and replacement parts, call the toll free number for your engine manufacturer listed below:

Kohler Co. 1-800-544-2444

TRACTOR -- MODEL NUMBER 917.289342
STEERING ASSEMBLY



KEY PART
NO. NO.

NO.	NO.	DESCRIPTION
1	414803X428	Wheel, Steering
2	195988	Axle Asm., Front
4	403087	Spindle Asm., LH
5	403088	Spindle Asm., RH
6	8266H	Washer Thrust
7	121748X	Washer 25/32 x 1-5/8 x 16 Ga.
8	1200029	Ring, Klip #T5304-75
9	184946X505	Cap, Spindle
13	121749X	Washer 25/32 x 1-1/4 x 18 Ga.
14	STD551137	Washer, Lock Hvy Hlcl Spr 3/8
15	73540600	Nut, Crown Lock 3/8-24 unfl
18	408219	Shaft Steering
19	194729	Plate Steering
20	199878X428	Boot, Steering
21	188737	Adapter, Wheel Steering
22	420537	Steering Supt. Lower
26	414852X428	Insert, Wheel Steering
28	17000612	Screw 3/8-16 x 3/4
35	194732	Gear, Sector Plate

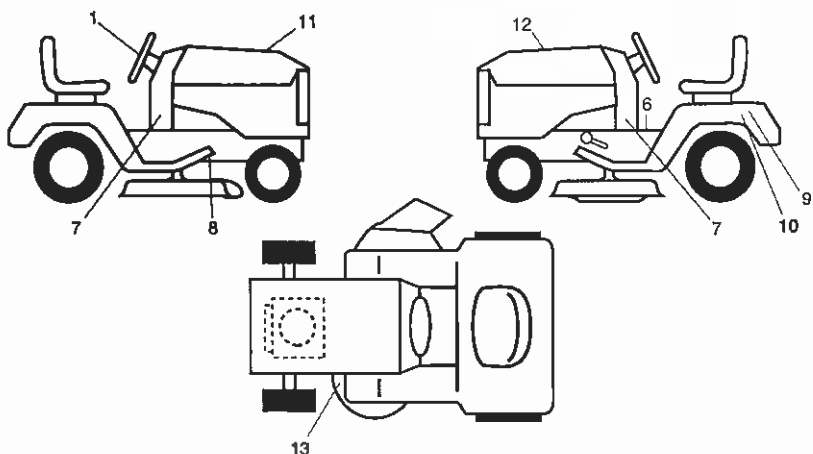
KEY PART
NO. NO.

NO.	NO.	DESCRIPTION
45	19183612	Washer 9/16 x 2-3/8 x 12 Ga.
51	73940800	Nut Hex 1/2-20 unfl
53	188967	Washer Hardened. 7/8x1.637x.060
57	407485	Bracket Upstop
58	194747	Bolt Shoulder Sector Pivot CFM
59	194748	Washer Thrust Sector Steering
60	73971000	Nut Flange Lock 5/8-11
61	194740	Draglink LH
62	194741	Draglink, RH
63	17000512	Screw 5/16-18 x 3/4
64	199849	Retainer Clip Spring Steering
66	71020748	Bolt Hex Fghd 7/16-14 x 3 Serr
67	194737	Bushing PM Front Axle
68	73900700	Nut Lock Flange 7/16-14 Gr. 5
69	199162	Washer 1.5 x .505 x .118
70	196197	Bracket Deck Susp. Front

NOTE: All component dimensions given in U.S. Inches
 1 inch = 25.4 mm

TRACTOR -- MODEL NUMBER 917.289342

DECALS



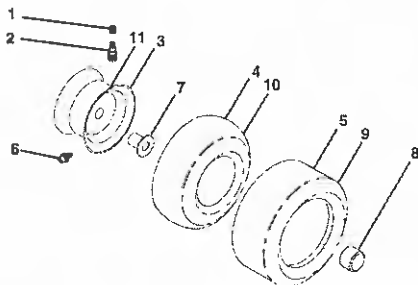
KEY PART NO. NO.

KEY PART NO.	NO.	DESCRIPTION
1	422885	Decal, Steering
6	411857	Decal, Fender Operator's
7	426281	Decal, Lower Dash
8	421534	Decal, V-Belt Schematic Drive
9	149516	Decal, Battery Dnge/Pol
10	138047	Decal, Battery
11	428373	Decal, Replacement

KEY PART NO. NO.

KEY PART NO.	NO.	DESCRIPTION
12	428076	Decal, Customer Responsibility
13	160398	Decal, Mower V-Belt SCH.
--	193226X428	Pad, Footrest LH
--	400981X428	Pad, Footrest Control
--	186960	Decal, Bypass
--	428413	Manual, Operator's (Eng/Span)
--	428415	Manual, Parts

WHEELS & TIRES

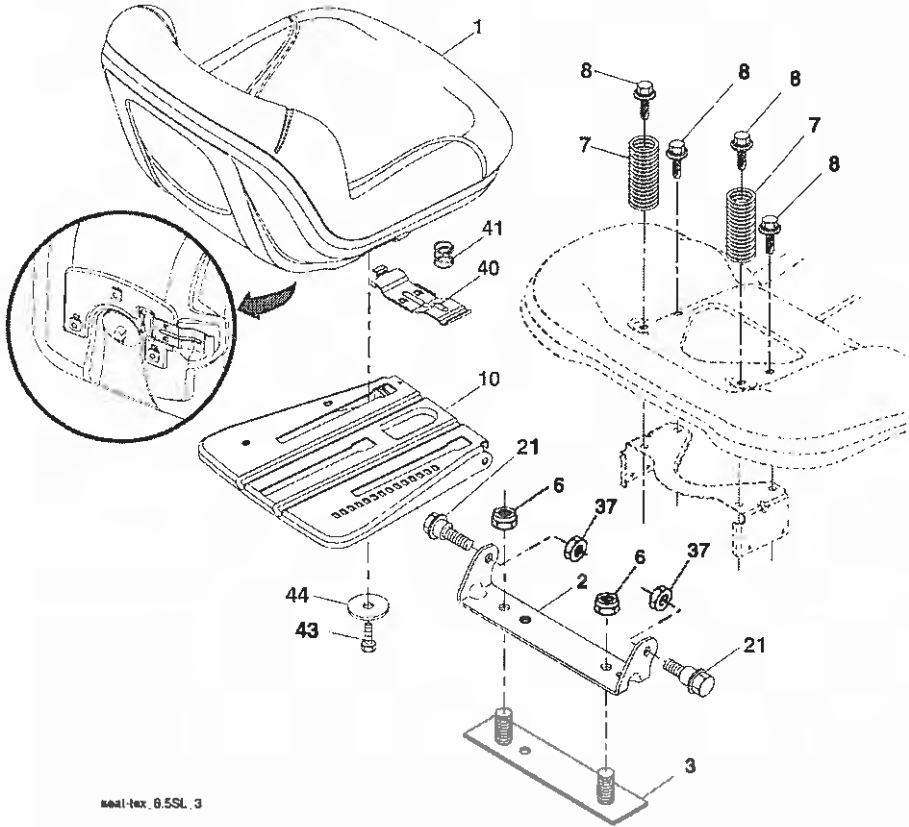


KEY PART NO. NO.

KEY PART NO.	NO.	DESCRIPTION
1	59192	Cap, Valve, Tire
2	65139	Stem, Valve
3	108732X613	Rim Assembly, Front
4	59904	Tube, Front
5	108222X	Tire, Front
6	278H	Fitting, Grease
7	9040H	Bearing, Flange
8	104757X428	Cap, Axle (Front Wheel Only)
9	420531	Tire, 18 x 9.5-8 TurfSaver LT
10	7152J	Tube, Rear
11	108108X613	Rim Assembly, Rear
--	144334	Sealant, Tire (10 oz. Tube)

NOTE: All component dimensions given in U.S. Inches
1 Inch = 25.4 mm

TRACTOR - - MODEL NUMBER 917.289342
SEAT ASSEMBLY



seat-lex. 6.5SL. 3

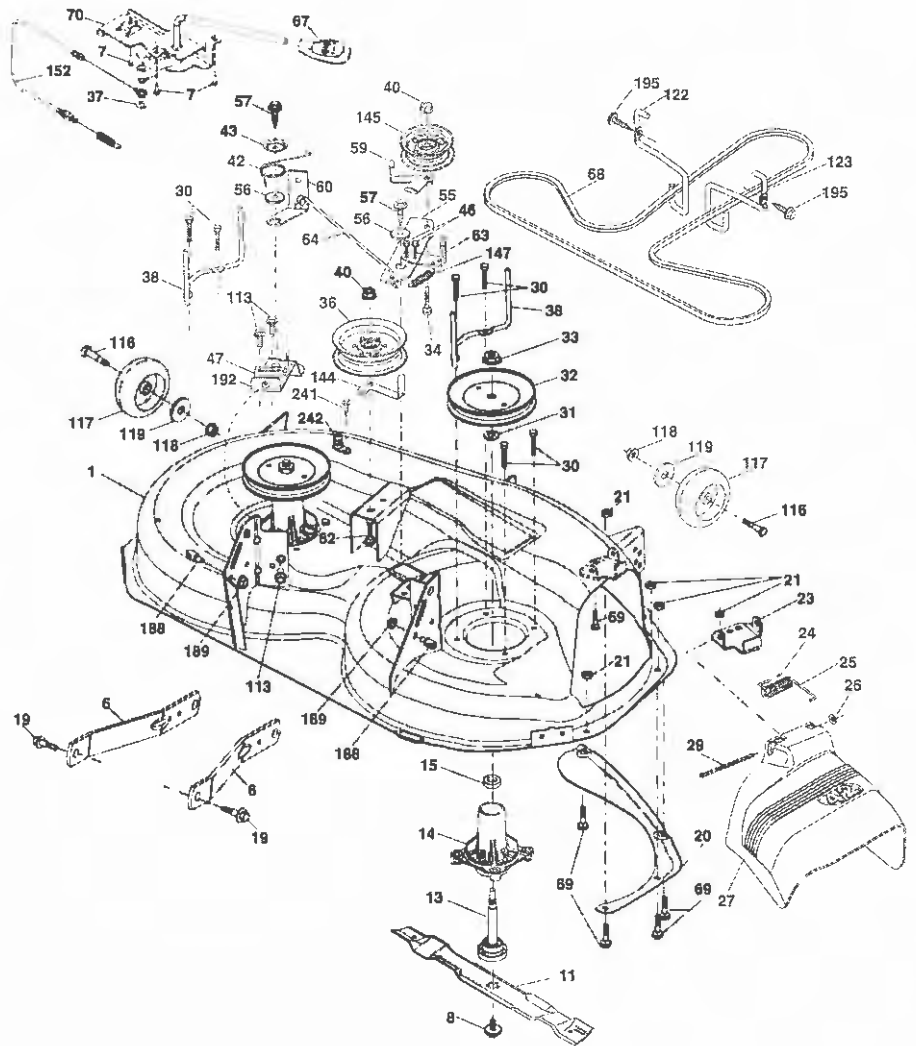
KEY PART NO. NO.	DESCRIPTION
1 423645	Seat
2 180166	Bracket Pivot Fender
3 140675	Strap. Asm Fender
6 STD541437	Nut, Lock W/Ins. 3/8-18 unc
7 124181X	Spring, Seat Cprsn
8 171877	Bolt 5/16-18 unc x 3/4 w/Sems
10 196977	Pan, Seat
21 171852	Bolt, Shoulder 5/16-18
37 STD541431	Nut, Lock 5/16-18 unc

KEY PART NO. NO.	DESCRIPTION
40 197861	Handle Slide Seat
41 198200	Spring Latch Seat
43 74760612	Bolt 3/8-16 x 3/4
44 19133812	Washer 13/32 x 2-3/8 x 12 Ga.

NOTE: All component dimensions given in U.S. inches
 1 inch = 25.4 mm

TRACTOR -- MODEL NUMBER 917.289342

MOWER DECK



42_D_main-101_UJ_35

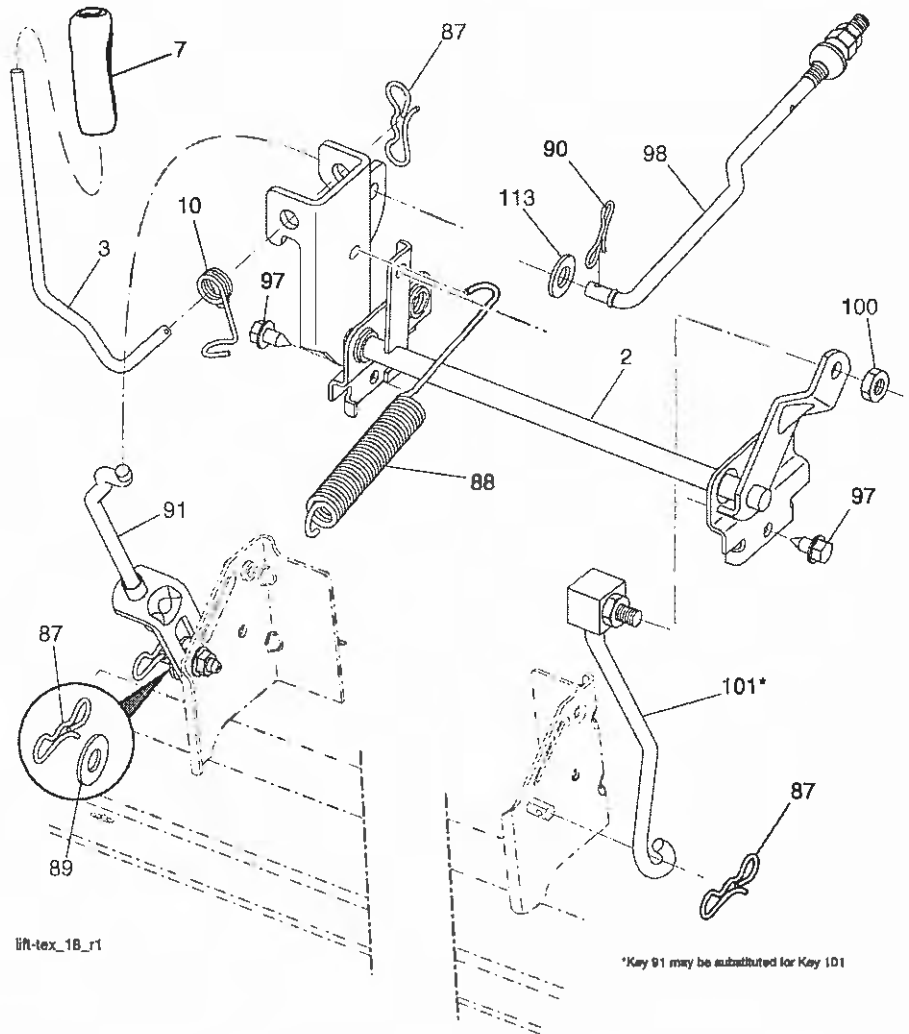
TRACTOR - - MODEL NUMBER 917.289342

MOWER DECK

KEY PART NO.	PART NO.	DESCRIPTION	KEY PART NO.	PART NO.	DESCRIPTION
1	196495X615	Mower Housing	59	141043	Guard, Tuv Idler (94)
2	72140506	Bolt RDHDSQNK. 5/16-18uncx3/4	60	199478	Arm Brake Mower
6	195186	Arm Suspension	62	72110616	Bolt Rdhd Sqnk 3/8-16 unc x 2
7	416358	Screw 10 x .750 BOS Thread	63	197402	Arm Brake Mower
8	193003	Bolt/Washer Asm 7/16-20 unf	64	199918	Linkage Brake
11	424752	Blade, 3N1	67	198398X505	Handle, Clutch Cable
--	422719	Blade, 3N1 Premium (For bagging or discharge)	68	197253	V-Belt
--	138971	Blade, Hi-LIFT	69	72140505	Bolt Rdhd Sqnk 5/16-16 x 5/8
--	134149	Blade, Mulching Stadar	70	199972	Clutch Asm. Manual
--	139775	Blade, Mulching Premium	111	404784	Bracket, Gauge Wheel LH
13	192872	Shaft Assembly, Mandrel	112	404785	Bracket, Gauge Wheel RH
14	187281	Housing, Mandrel	113	17000510	Screw 5/16-18
15	110485X	Bearing, Ball, Mandrel	118	4898H	Bolt, Shoulder
19	196539	Bolt, Shoulder	117	188606	Wheel, Gauge
20	159770	Baffle Vortex	118	73930600	Nut, Crownlock 3/8-1
21	73680500	Nut, Crownlock 5/16-18 unc	119	18121414	Washer 13/32 x 7/8 x 14 Ga.
23	192557	Bracket, Deflector	122	197258	Keeper Belt Eng. LH
24	105304X	Cap, Sleeve	123	197259	Keeper Belt Eng. RH
25	197026	Spring, Torsion, Deflector	144	199204	Keeper Belt
26	110452X	Nut, Push	145	183197	Pulley, Idler, Flat
27	424469	Shield, Deflector	147	401971	Spring Return
29	131491	Rod, Hinge	152	408714	Cable Clutch Manual w/Spr.
30	173984	Screw Thdrol Rolling Wsh Hd	188	195161	Stud Fastener
31	187690	Washer, Spacer	189	73900500	Nut Lock Hex Flange
32	197473	Pulley, Mandrel	192	197260	Bracket Brake Stand LH
33	400234	Nut, Toplock, Flanged	195	17000612	Screw Hexwsh Thdr 3/8-16 x 3/4
34	72110612	Bolt Carr Sh. 3/8-16 x 1-1/2 Gr. 5	241	152927	Screw
36	197379	Pulley Idler	242	415598	Port Washout
37	19131318	Washer 13/32 x 13/16 x 16 Ga.	--	416405	Coupling Quick Disconnect
38	199189	Keeper Belt LH Mandrel	--	424343	Replacement Mower, Complete
40	73900600	Nut, Lock Fig. 3/8-16 unc	--	192870	Mandrel Assembly (Mandrel Assembly (includes housing, shaft assembly, and bearing only - pulley/nut/washer and blade bolt/washers not included)
42	198410	Spring Torsion Brake			
43	197256	Spring Torsion Retainer			
46	137729	Screw Thd Roll 1/4-20 x 5/8			
47	197250	Bracket Clutch Cable			
55	197249	Arm, Idler			
56	199092	Spacer, Retainer			
57	17000616	Screw Hexwsh Thd 3/8-16 x 1			

NOTE: All component dimensions given in U.S. Inches
1 inch = 25.4 mm

TRACTOR -- MODEL NUMBER 917.289342
LIFT ASSEMBLY



lift-tex_18_r1

*Key 91 may be substituted for Key 101

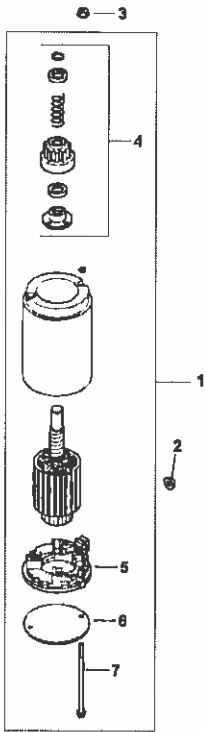
KEY PART NO.	NO.	DESCRIPTION
2	422027	Shaft Asm., Lift
3	195231	Lever Asm., Lift RH
7	196492X428	Grip, Lever
10	196314	Spring Torsion
87	194209	Pin Cotter 7/16 Bow Tie Lock
88	410710	Spring Lift Assist
89	19191912	Washer Clear Zinc
90	194208	Pin Cotter 5/16 Bow Tie Lock
91	195181	Link Lift Susp Mower Rear

KEY PART NO.	NO.	DESCRIPTION
97	17000612	Screw 3/8-16 x .75
98	195270	Link Lift Susp. Front Mower
100	73930800	Nut Centerlock 3/8-16 unc
101	407003	Link Asm. Lift Fxd
113	19171912	Washer 17/32 X 1-3/16 X 12 Ga.

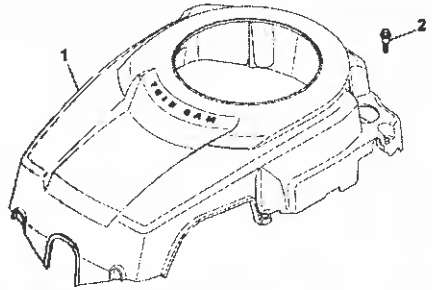
NOTE: All component dimensions given in U.S. Inches
 1 Inch = 25.4 mm

TRACTOR -- MODEL NUMBER 917.289342
KOHLER ENGINE-MODEL NUMBER SV620, TYPE NUMBER 0210

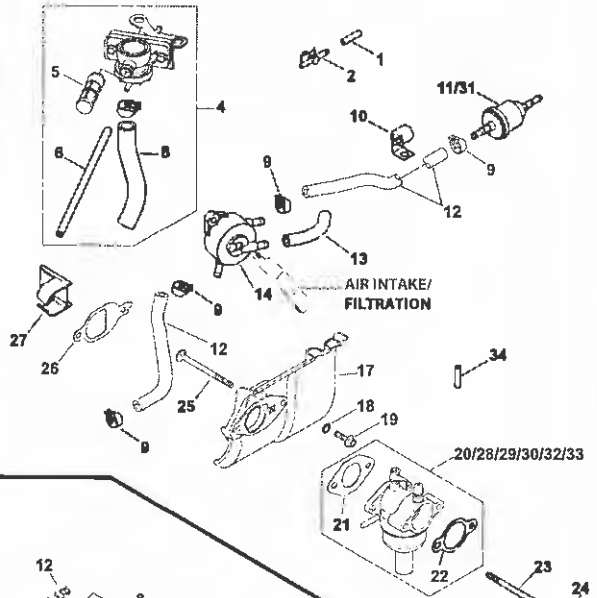
STARTING SYSTEM



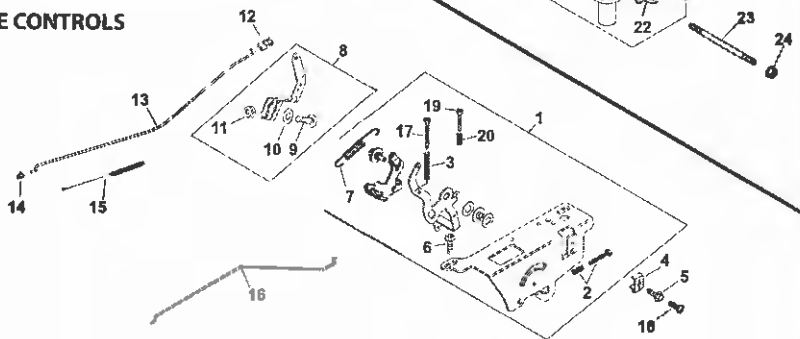
BLOWER HOUSING & BAFFLES



FUEL SYSTEM

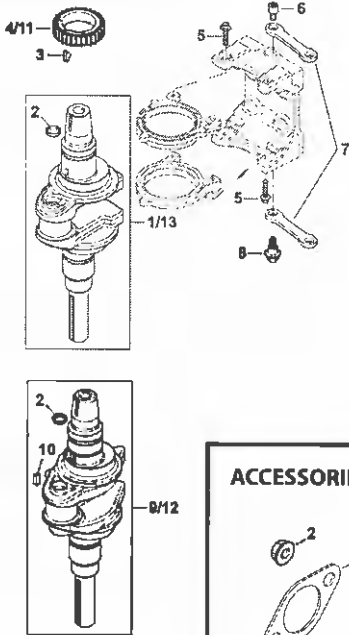


ENGINE CONTROLS

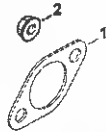


TRACTOR - - MODEL NUMBER 917.289342
KOHLER ENGINE-MODEL NUMBER SV620, TYPE NUMBER 0210

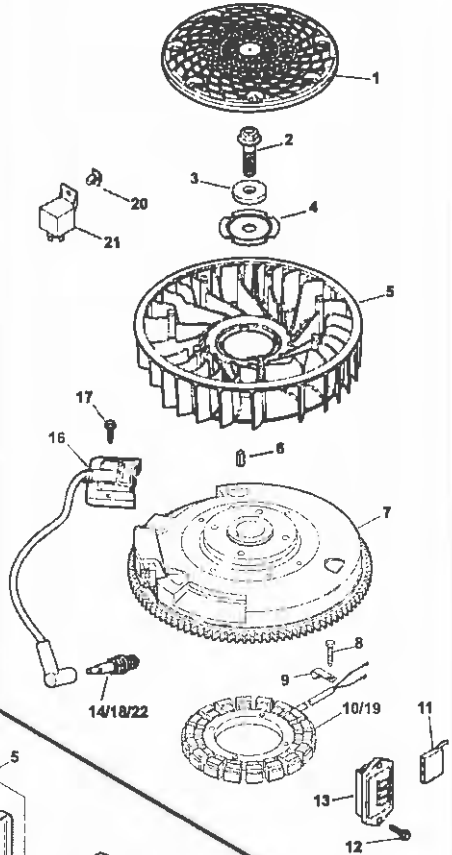
CRANKSHAFT



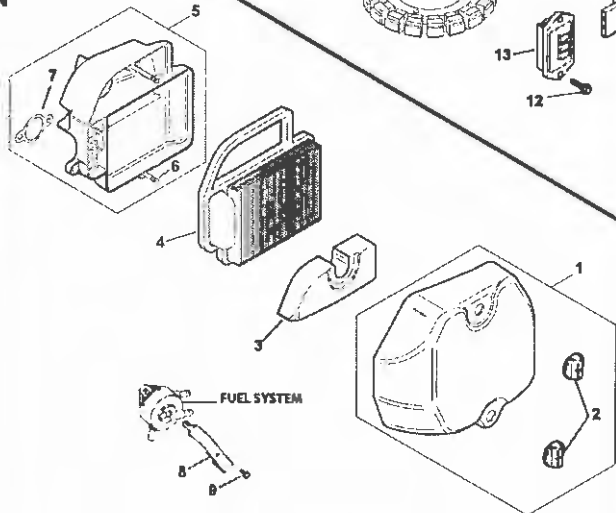
ACCESSORIES



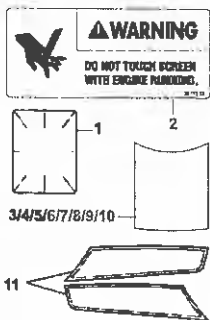
IGNITION/ELECTRICAL



AIR INTAKE/FILTRATION



DECALS



Artwork is representative.
 Actual labels may differ depending on
 model and specification number.

FUEL SYSTEM



TRACTOR -- MODEL NUMBER 917.289342
KOHLER ENGINE-MODEL NUMBER SV620, TYPE NUMBER 0210

CRANKSHAFT 1-20-4

1	20 014 32-S	1	Kit, Crankshaft Assembly (Includes 2)
2	25 139 27-S	1	Plug, Cup
3	X-42-15-S	1	Key, 3/16" X 5/8"
4	20 043 15-S	1	Gear, Crankshaft
5	25 086 137-S	4	Screw, Fig M6x1.0x25
6	25 086 214-S	1	Screw, Link Pivot
7	20 186 04-S	2	Linkage, Balance Weight
8	25 086 213-S	1	Screw, Shoulder

CRANKCASE 2-20-17

1		1	Crankcase (Use Short Block)
4	20 032 01-S	1	Seal, Oil
5	20 067 05-S	1	Rod, Connecting Assembly
6	20 874 09-S	1	Kit, Piston W/Ring Set (94mm) (Includes 7,8)
7	20 108 04-S	1	Ring Set (94mm)
8	62 018 04-S	2	Retainer, Piston Pin
9	20 090 01-S	2	Kit, Cam Lever Assembly (Includes 10)
10	20 086 06-S	2	Screw, Shd Thd Frm M6x1x26
12	20 123 02-S	1	Tube, Drainback
13	12 154 05-S	1	Clip, Hitch Pin
14	M-831015-S	1	Washer, Flat 6 Mm
15	X-25-102-S	1	Washer, Flat 1/4"
16	20 144 02-S	1	Shaft, Governor Cross
17	20 393 02-S	1	Kit, Oil Pump Assembly (Includes 11,18,19)
18	20 112 02-S	2	Spacer, Oil Pump Screw
19	20 086 13-S	2	Screw, Oil Pump
20	20 144 11-S	1	Kit, Cam Center Shaft (Exhaust) (Includes 21)
21	20 468 08-S	1	Washer, Thrust
23	20 089 06-S	1	Spring, Acr
24	20 044 23-S	1	Weight, Acr
25	20 468 03-S	1	Washer, Thrust -Acr
27	20 468 03-S	1	Washer, Thrust -Acr
28	25 139 57-S	1	Plug, Sq Hd Pipe 3/8"
36	20 010 05-S	1	Cam Gear Assembly (Intake) (Includes 27)
37	20 010 06-S	1	Kit, Cam Gear Assy (Exhaust) (Includes 23-25)

OIL PAN/LUBRICATION 3-20-27

1	20 040 06-S	1	Dipstick Assembly-Std Yellow (Includes 2)
2	20 153 01-S	2	O-Ring
4	20 009 30-S	1	Closure Plate Assembly (Includes 5-14)
5	25 139 60-S	4	PLug, Ctsk Pipe 1/8"
6	20 096 02-S	1	Kit, Oil Passage Cover (Includes 7)
7	20 041 02-S	1	Gasket, Oil Passage
8	20 144 03-S	1	Shaft, Governor Cross
9	25 310 07-S	1	Governor Gear Assembly (Includes 10)
10	12 360 01-S	1	Pin, Governor Regulating
11	20 041 01-S	1	Gasket, Closure Plate
12	M-545013-S	6	Screw, Fig Thd Frm M5x0.8x13
13	20 032 01-S	1	Seal, Oil
14	25 155 02-S	1	Connector, 90° Hose
15	25 086 127-S	14	Hex Flange Screw, 1/2 Dog Point
17	52 050 02-S	1	Filter, Oil

HEAD/VALVE/BREATHER 4-20-12

1	20 086 07-S	1	Kit, Valve Cover (Includes 2)
2	20 041 13-S	1	Gasket, Valve Cover
3	M-845020-S	7	Screw, Fig Thd Frm M6x1.0x20
4	20 326 20-S	1	Hose, Breather
5	20 599 04-S	2	Rocker Pivot Assembly (Includes 6)
6	20 086 04-S	2	Screw, Set
7	20 186 01-S	2	Arm, Rocker
8	20 072 08-S	2	Stud, Rocker
9	20 146 03-S	2	Plate, Push Rod Guide
10	20 062 01-S	2	Lock, Retainer
11	20 173 01-S	2	Cap, Valve Spring
12	20 089 03-S	2	Spring, Valve
14	12 468 05-S	1	Washer, Flat 13/32"
15	20 086 02-S	6	Screw, Fig M10x1.5x80
19	20 841 01-S	1	*KIT, Cylinder Head Gasket (Includes 2,13,14,12 041 01-S, 12 041 02-S, 20 041 12-S, 20 041 18-S, 20 041 17-S, 25 086 87-S & X-21-1-S)*
20	20 411 04-S	2	Rod, Push
23	20 016 02-S	1	Valve, Exhaust
24	20 017 02-S	1	Valve, Exhaust
25	20 318 12-S	1	Kit, Cylinder Head (Includes 25 086 87-S & X-21-1-S)
NOT ILLUSTRATED			
	12 041 01-S	1	Gasket, Carburetor
	12 041 02-S	1	Gasket, Air Cleaner Base
	20 041 12-S	1	Gasket, Exhaust
	20 041 18-S	1	Gasket, Heat Deflector
	20 041 17-S	1	Gasket, Heat Deflector
	25 086 87-S	2	Screw, Hex Socket Head Cap X-21-1-S
	X-21-1-S	2	Washer, Spring Lock 5/16"

IGNITION/ELECTRICAL 5-20-15

1	20 162 02-S	1	Screen, Grass
2	25 086 125-S	1	Screw, Hex Flange
3	25 468 09-S	1	Washer, Flat
4	20 146 05-S	1	Plate, Fan Mounting
5	20 157 01-S	1	Fan
6	25 340 02-S	1	Key, Straight Flywheel
7	20 025 40-S	1	Flywheel
8	M-548025-S	2	Screw, Thd Frm M5x0.8x25
9	20 154 04-S	1	Clip, Wire
10	237878-S	1	Kit, 15 Amp Stator (Includes 25 452 01-S)
11	25 155 41-S	1	Connector
12	M-545020-S	2	Screw, Fig Thd Frm M5x.8x20
13	41 403 10-S	1	Regulator/Rectifier
16	20 584 03-S	1	Module, Ignition (Cdl Fixed)
17	M-545020-S	2	Screw, Fig Thd Frm M5x.8x20
22	25 132 12-S	1	Plug, Spark (Pro Series)
NOT ILLUSTRATED			
	20 176 13-S	1	Harness, Wiring
	25 454 05-S	1	Tie

BLOWER HOUSING & BAFFLES 6-20-5

1	20 027 07-S	1	Kit, Blower Housing (Includes 41 037 10-S)
2	20 086 06-S	4	Screw, Shd Thd Frm M6x1x26
NOT ILLUSTRATED			
	41 037 10-S	1	Nameplate, Service

TRACTOR -- MODEL NUMBER 917.289342

KOHLER ENGINE-MODEL NUMBER SV620, TYPE NUMBER 0210

STARTING SYSTEM 7-20-1

1	20 098 05-S	1	Starter Assembly (Includes 4-7)
3	25 100 31-S	2	Nut, Free Spinning Flg #10-24
4	20 755 12-S	1	Kit, Drive (J.E.)
5	12 221 02-S	1	Brush Kit
6	20 227 01-S	1	Cap, Drive End (J.E.)
7	20 211 02-S	1	Bolt, Thru

FUEL SYSTEM 8-20-40

9	25 237 14-S	4	Clamp, Hose 1/2"
12	25 111 34-S	2	Line, Fuel (24"-Cut To Length)
17	20 285 09-S	1	Kit, Heat Deflector
18	X-22-11-S	1	Washer, Int Tooth Lock 1/4"
19	M-651020-S	1	Screw, Flg M6x1.0x20
21	12 041 01-S	1	Gasket, Carburetor
22	12 041 02-S	1	Gasket, Air Cleaner Base
23	20 072 05-S	1	Stud, M6x1.0x100
24	M-641060-S	2	Nut, Flg M6x1.0
25	20 072 07-S	1	Stud, Carburetor
26	20 041 18-S	1	Gasket, Heat Deflector
27	20 332 01-S	1	Insert, Intake Port
30	20 853 35-S	1	Kit, Carburetor (Includes 21,22)
31	25 050 21-S	1	Filter, Fuel

NOT ILLUSTRATED

25 454 05-S	1	Tie
12 755 109-S	1	Kit, High Alt(5000 Or 10000 Ft)
12 755 110-S	1	Kit, Repair Choke
12 757 02-S	1	Kit, Repair Float
12 757 03-S	1	Kit, Repair Carburetor
12 757 33-S	1	Kit, Repair Solenoid
12 757 37-S	1	Kit, Repair Bowl Replacement
20 755 07-S	1	Kit, High Altitude (10,000 Ft)

ENGINE CONTROLS 9-20-8

1	20 536 06-S	1	Kit, Speed Control Assembly (Includes 2,3,6 [Qty.1],7,17,19,20)
2	25 086 297-S	1	Kit, Idle Adj Screw & Spring
3	20 089 12-S	1	Spring, Speed Control (Long)
4	12 237 01-S	2	Clamp, Cable
6	M-664020-S	2	Screw, Lbd Skt M6x1.0x20
7	20 089 11-S	1	Spring, Governor
8	20 090 11-S	1	Lever, Governor Assembly (Includes 9-11)
9	52 211 04-S	1	Bolt, Rd Hd Sq Nck 1/4-20x1"
10	X-22-11-S	1	Washer, Int Tooth Lock 1/4"
11	12 100 07-S	1	Nut, Hex Flg 1/4-20"
12	25 158 11-S	1	Bushing, Throttle Linkage
13	20 079 07-S	1	Linkage, Throttle
14	25 158 08-S	1	Bushing, Linkage Retaining
15	20 089 10-S	1	Spring, Linkage
16	20 079 05-S	1	Linkage, Choke
17	20 086 18-S	1	Screw, Phi Thd Frm M4x0.7x38
18	24 086 43-S	1	Screw, Lbd Thd Frm M5x0.8x16
19	20 086 10-S	1	Screw, Phi Thd Frm M4x0.7x25
20	12 089 11-S	1	Spring, Speed Control (Short)

AIR INTAKE/FILTRATION 10-20-9

1	20 096 04-S	1	Kit, Air Cleaner Cover (Includes 2)
2	25 341 04-S	2	Knob, Cover
4	20 083 02-S	1	Element, Air Cleaner
5	20 094 04-S	1	Kit, Air Cleaner Base (Includes 6,7)
6	20 072 04-S	2	Stud, Air Cleaner Base
7	12 041 02-S	1	Gasket, Air Cleaner Base

DECALS 12-20-41

1	25 113 39-S	1	Decal, Clear Laminate
10	20 113 48-S	1	Decal, 22hp Craftsman
11	20 113 24-S	1	Decal, Craftsman Wing

ACCESSORIES

1	20 041 12-S	1	Gasket, Exhaust
---	-------------	---	-----------------

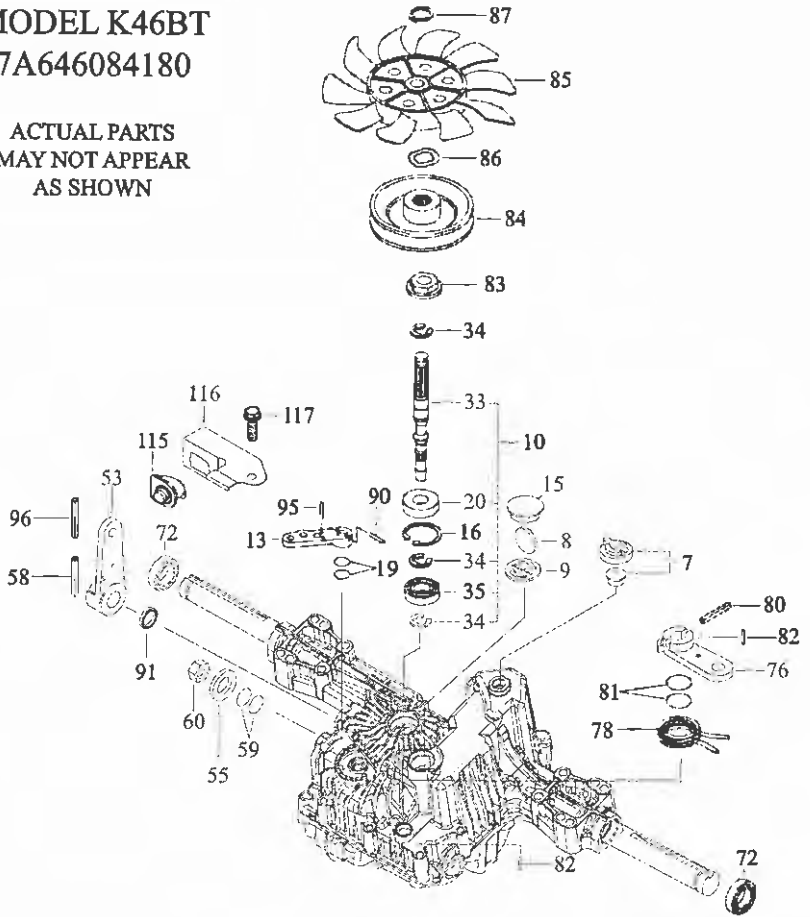
SHORT BLOCK 42-20-7

20 522 07	1	SV610/620 Short Block
20 755 05-S	1	Gasket Set

TRACTOR -- MODEL NUMBER 917.289342
HYDRO GEAR TRANSAXLE - MODEL NUMBER TUFFTORQ K46 BT

MODEL K46BT
7A646084180

**ACTUAL PARTS
MAY NOT APPEAR
AS SHOWN**



TRACTOR - - MODEL NUMBER 917.289342
HYDRO GEAR TRANSAXLE - MODEL NUMBER TUFFTORQ K46 BT

KEY NO.	PART NO.	DESCRIPTION
7	414395	Vent Valve 15
8	414396	Magnet
9	414397	Magnet Holder
10	415923	Pump Shaft/Bearing Kit
13	414398	Bypass Lever
15	414399	Sealing Cap 30
18	414400	Snap Ring C 35
19	414401	O-Ring 1a P10a
20	414402	Seal Tc 153507
33	414403	Pump Shaft (Standard)
34	414404	E-Ring 15
35	414405	Bearing 6202c3
53	414431	Control Lever F
55	415924	Washer 12
58	415925	Roll Pin 6 * 40
59	415926	O-Ring 1a P14
60	415927	Nut 12
72	414407	Seal 19 * 32 * 8
76	414408	Brake Lever
78	414409	Brake Return Spring
80	414410	Spring Pin 5 * 32
81	414411	O-Ring 1a P12
82	414412	Spring Pin 4 * 18
83	414413	Spine Collar
84	414414	Pulley L
85	414415	Fan, Black
86	414418	Wave Washer
87	414417	Snap Ring
90	414418	Spring Pin 3.0a * 20
91	414419	Oil Seal 16 * 22 *.03
95	414850	Spring Pin 3.0a*16
96	414420	Roll Pin 3.5 * 40
115	415928	Switch 6440-11 Delta
116	415929	Switch Bracket
117	415930	Tapping Screw 8 * 20

NOTE: All component dimensions given in U.S. Inches
1 inch = 25.4 mm

NEED MORE HELP?

You'll find the answer and more on managemyhome.com – for free!

- Find this and all your other product manuals online.
- Get answers from our team of home experts.
- Get a personalized maintenance plan for your home.
- Find information and tools to help with home projects.

manage **my** home

brought to you by Sears

Get it fixed, at your home or ours!

Your Home

For repair – **In your home** – of all major brand appliances, lawn and garden equipment, or heating and cooling systems, **no matter who made it, no matter who sold it!**

For the replacement parts, accessories and owner's manuals that you need to do-it-yourself.

For Sears professional installation of home appliances and items like garage door openers and water heaters.

1-800-4-MY-HOME®
(1-800-469-4883)
www.sears.com

Anytime, day or night
(U.S.A. and Canada)
www.sears.ca

Our Home

For repair of carry-in products like vacuums, lawn equipment, and electronics, call or go on-line for the nearest **Sears Parts and Repair Center.**

1-800-488-1222 Anytime, day or night (U.S.A. only)
www.sears.com

To purchase a protection agreement (U.S.A.)
or maintenance agreement (Canada) on a product serviced by Sears:

1-800-827-6655 (U.S.A.)

1-800-361-6665 (Canada)

Para pedir servicio de reparación
a domicilio, y para ordenar piezas:

1-888-SU-HOGAR®
(1-888-784-8427)

Au Canada pour service en français:

1-800-LE-FOYER^{MC}
(1-800-533-6837)
www.sears.ca

Sears

© Sears Brands, LLC

® Registered Trademark / Trademark / Service Mark of Sears Brands, LLC

® Marca Registrada / Marca de Fábrica / Marca de Servicio de Sears Brands, LLC

Marque de commerce / Marque déposée de Sears Brands, LLC